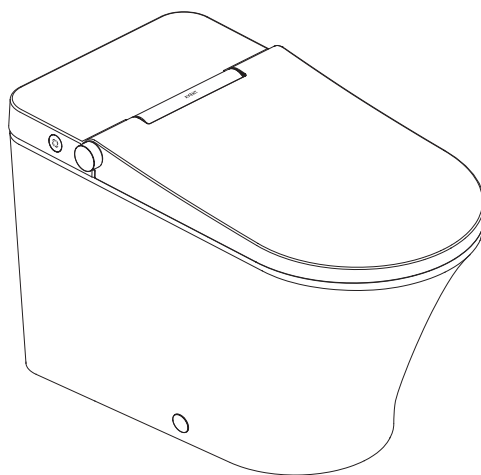


**AXENT**  
SWITZERLAND



AXENT.ONE C PLUS

**INSTALLATION INSTRUCTIONS**





**DANGER!**

High Risk, Lethal Hazards, Severe Injuries



**CAUTION!**

Low Risk, Minor Injuries



**NOTE!**

Damage to Property

---

## TARGET READERSHIP AND INSTALLER QUALIFICATIONS

---

Installation must be carried out by qualified professionals.



**NOTE!**

Follow all local installation regulations and country specific voltage and plumbing standards. DO NOT install the intelligent toilet in rooms where there is a danger of frost. The room temperature and water temperature must not be less than 4°C (39 °F).

Condensation may form when the intelligent toilet is brought from a cold location to a warm one. Leave the unit switched off for a few hours before operating.



**DANGER!**

---

### Risk of fatal electric shock

The appliance must be grounded and plugged into a GFCI outlet.

DO NOT remove individual components from (inside of) the intelligent toilet.

If the unit has a damaged cord or plug, return the product to a service center for repair. The cord or plug may only be changed by qualified personnel.



**CAUTION!**

DO NOT reuse old hoses. Please use new hoses and included components.

Axent Corp is not liable or responsible for damaged caused by 3rd party components.

---

## TECHNICAL SUPPORT

---

For any questions or any assistance with this product, please contact your dealer or call us at

1-800-769-4857

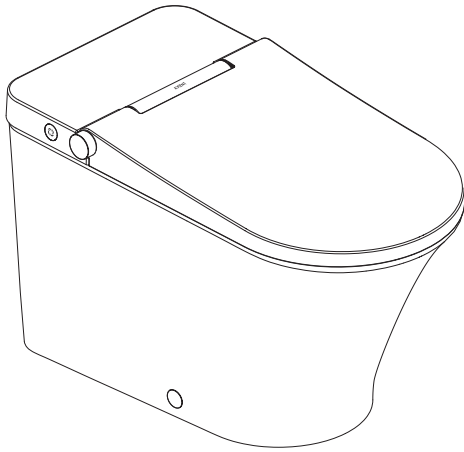
support@axentproducts.com

www.axentbath.us

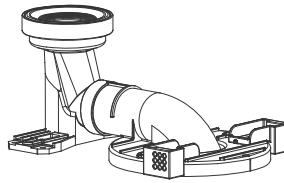
## SCOPE OF DELIVERY

---

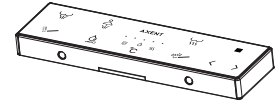
### Standard delivery contents



Main body



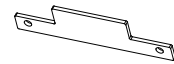
12" Flange



Remote Control



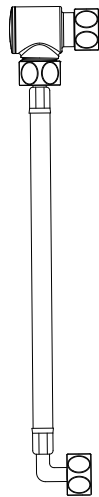
Flange Adhesive



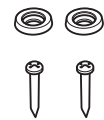
Adhesive



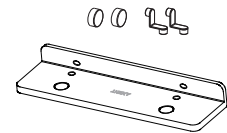
User Manual



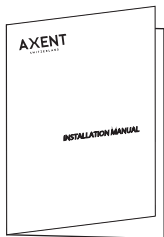
Inlet Hose and Filter  
(Filter Adapter Requires 1/2" FIP Connection.)



Bowl Mounting Hardware



Holder and Rubber plug



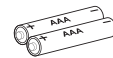
Installation Manual



Bowl Plug



Remote Control Mounting Hardware



Battery



Anti-theft Screws



The below parts are not included with the toilet.



Floor Mount



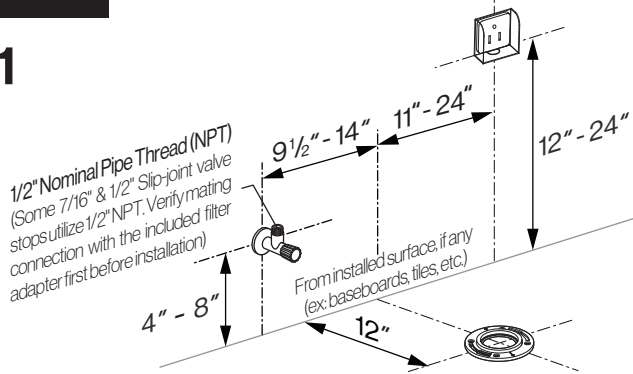
Bolts



Wax Ring

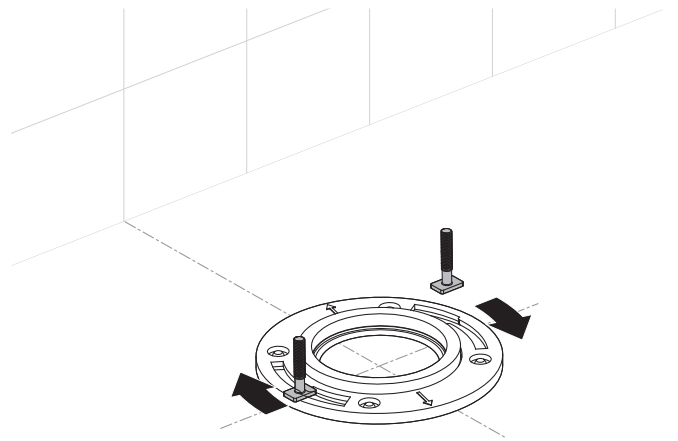
# 1

1

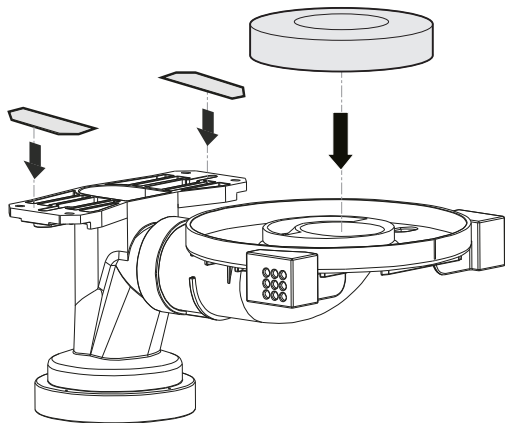


- ⚠ Please verify these dimensions before beginning installation. These dimensions may vary in some locations.
- Recommended operating pressure 40 - 80 psi.

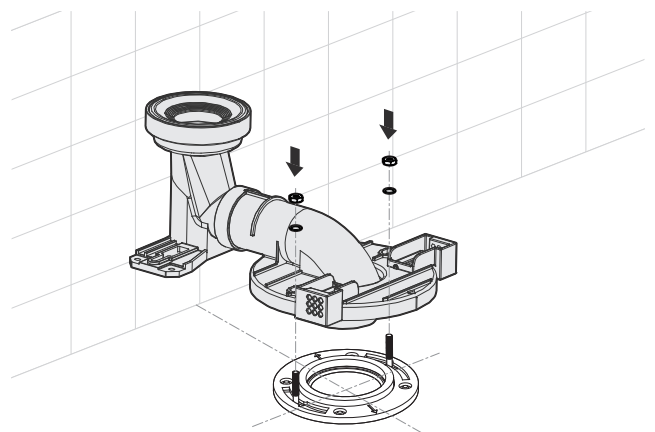
# 2



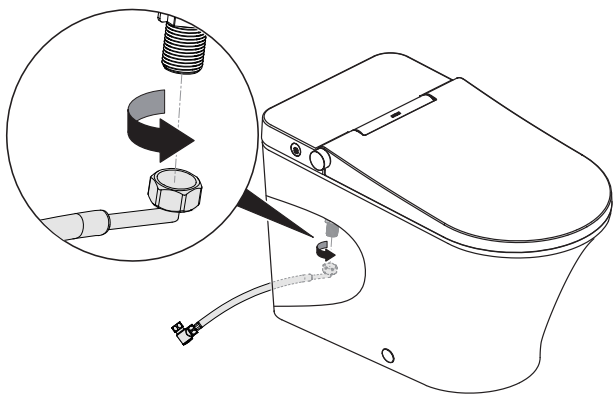
# 3



# 4

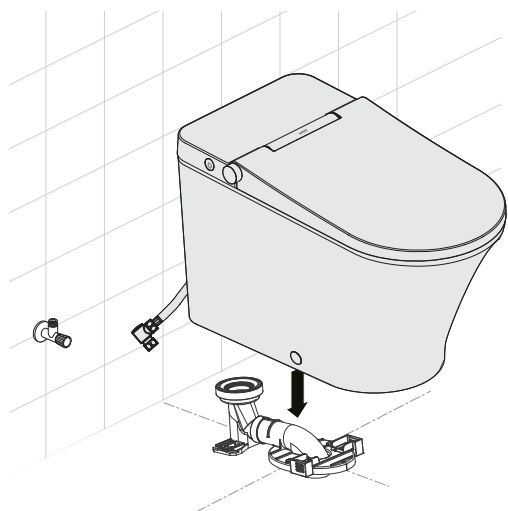


# 5

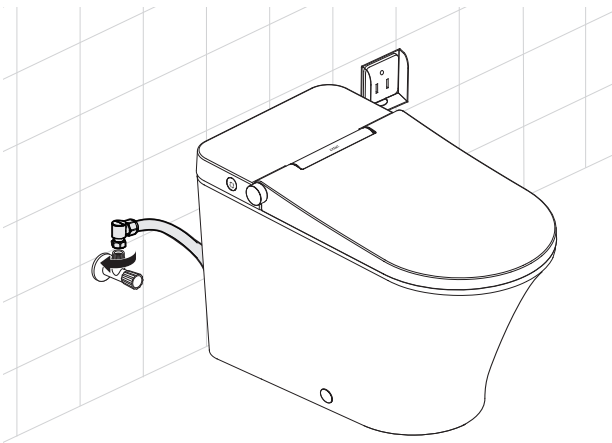


- ⚠ When replacing the water line, please use a line that is 20 inches or longer.

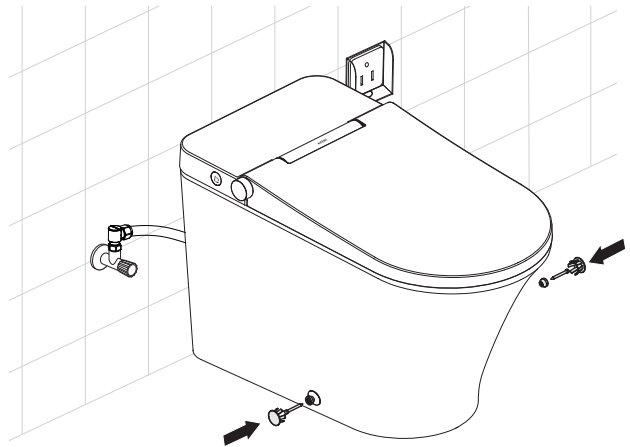
# 6



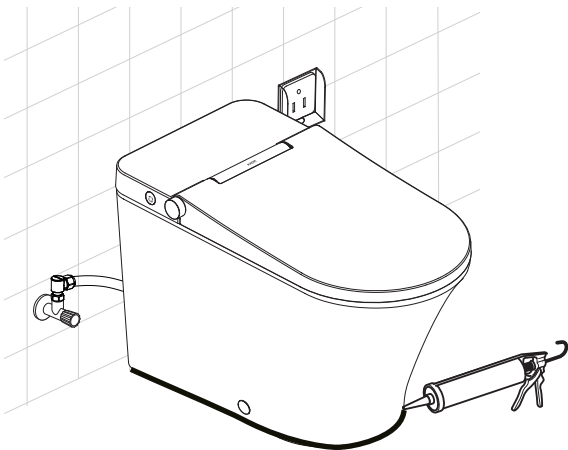
7 



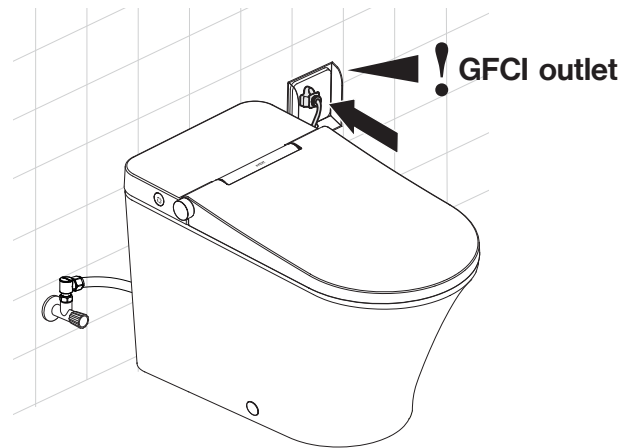
8 



9

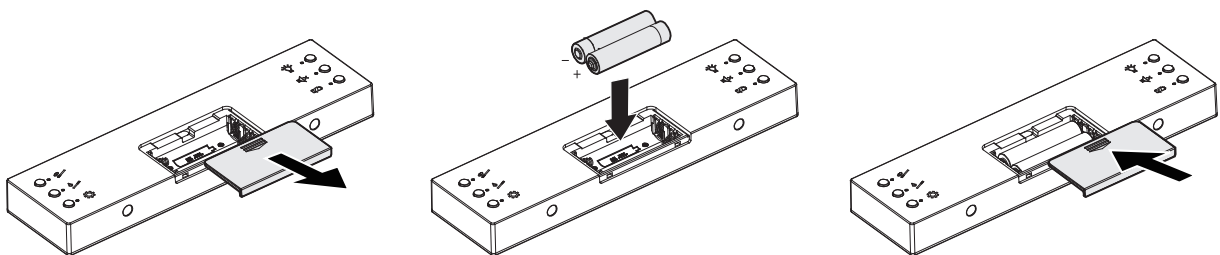


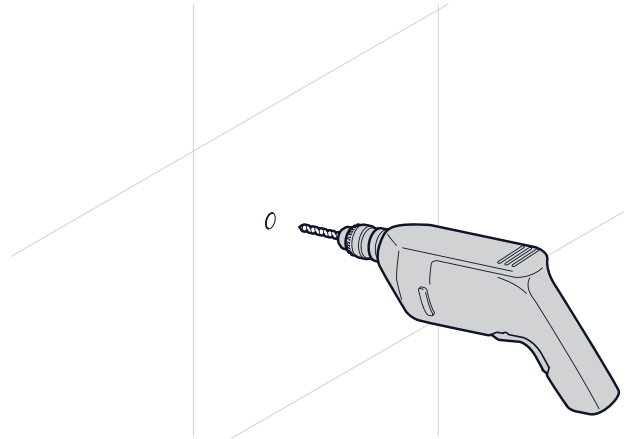
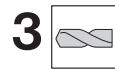
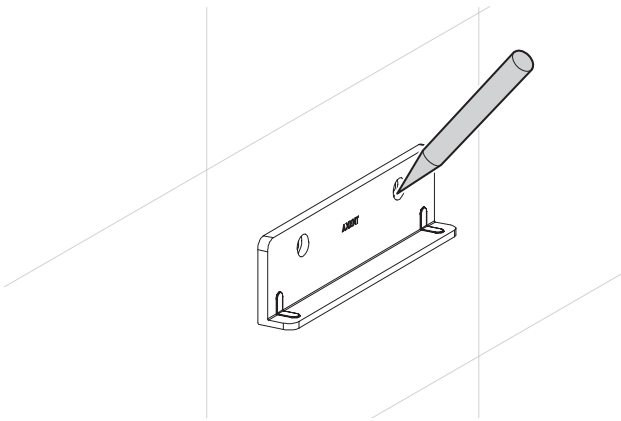
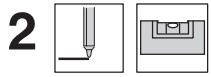
10



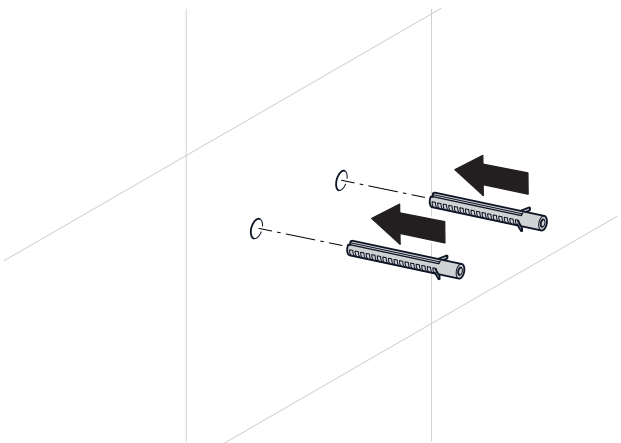
**2**

1

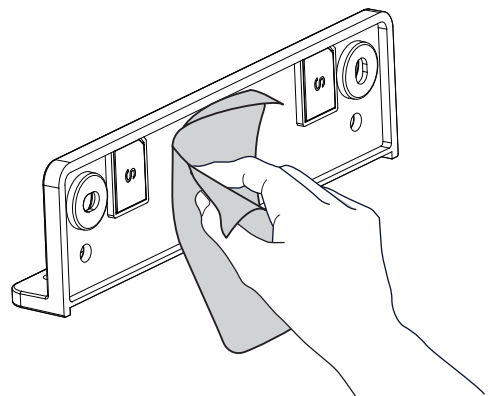




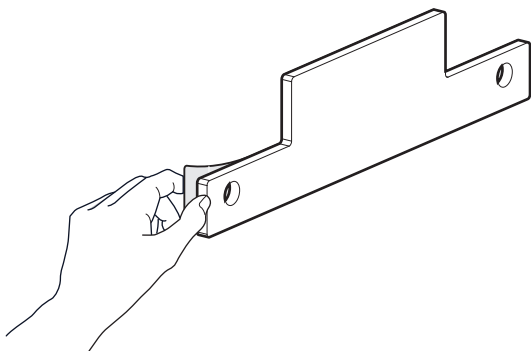
**4**



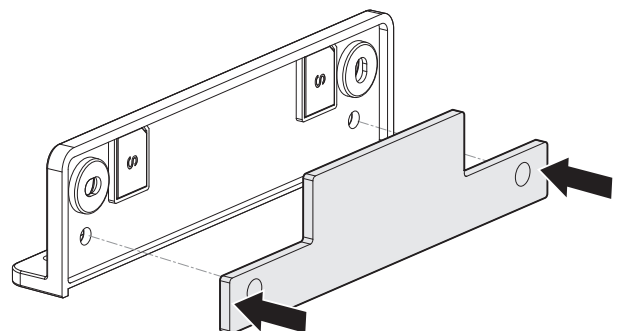
**5**



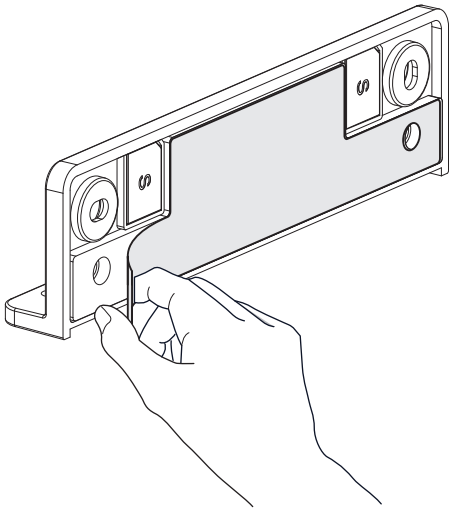
**6**



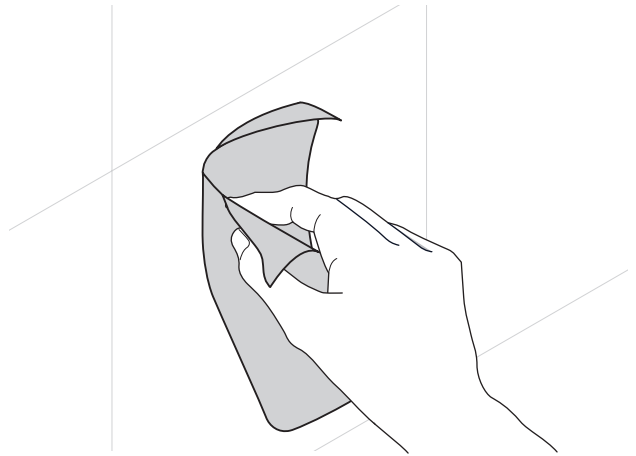
**7**



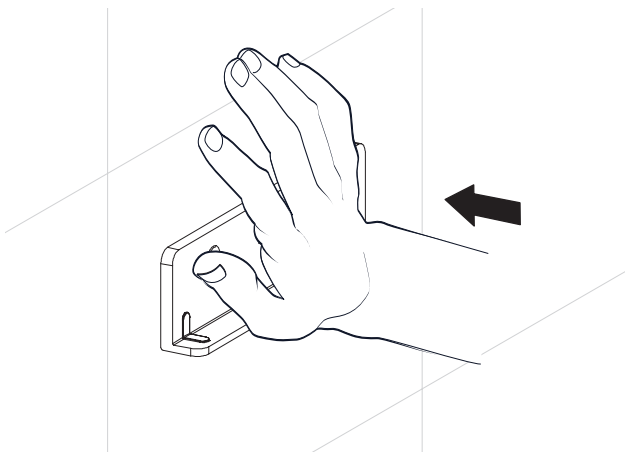
8



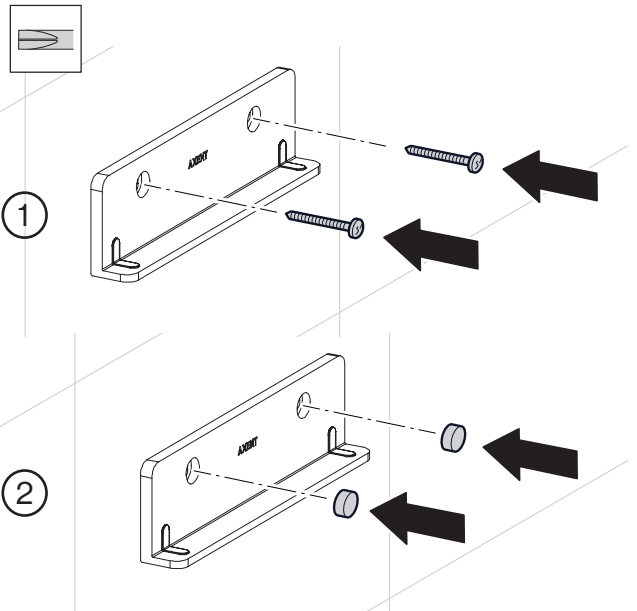
9



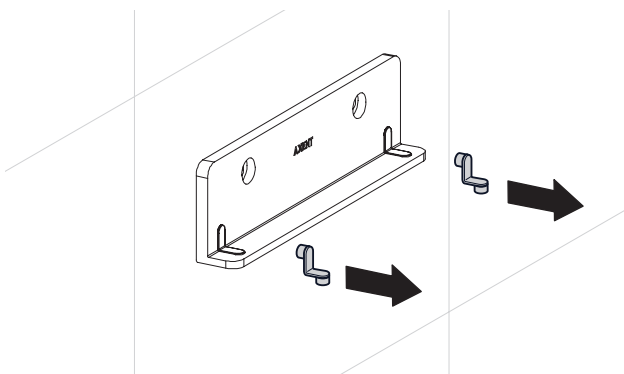
10



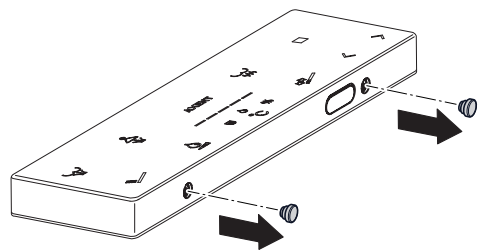
11



12

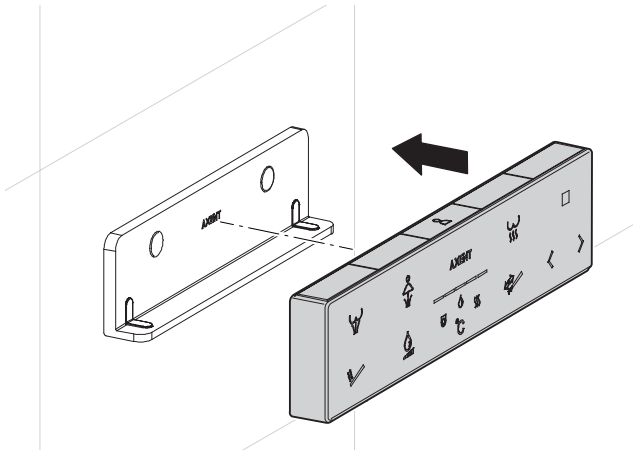


13

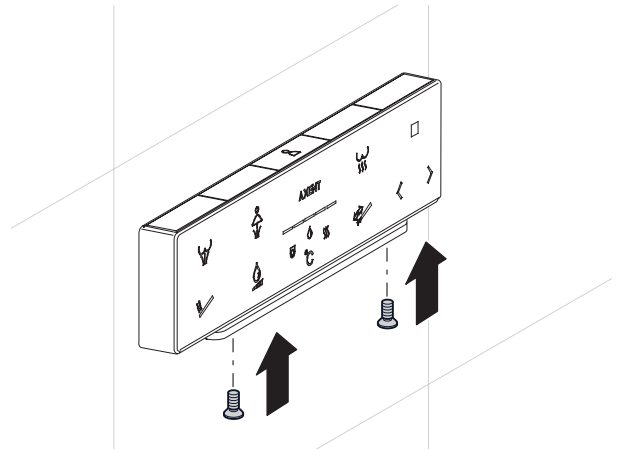




14

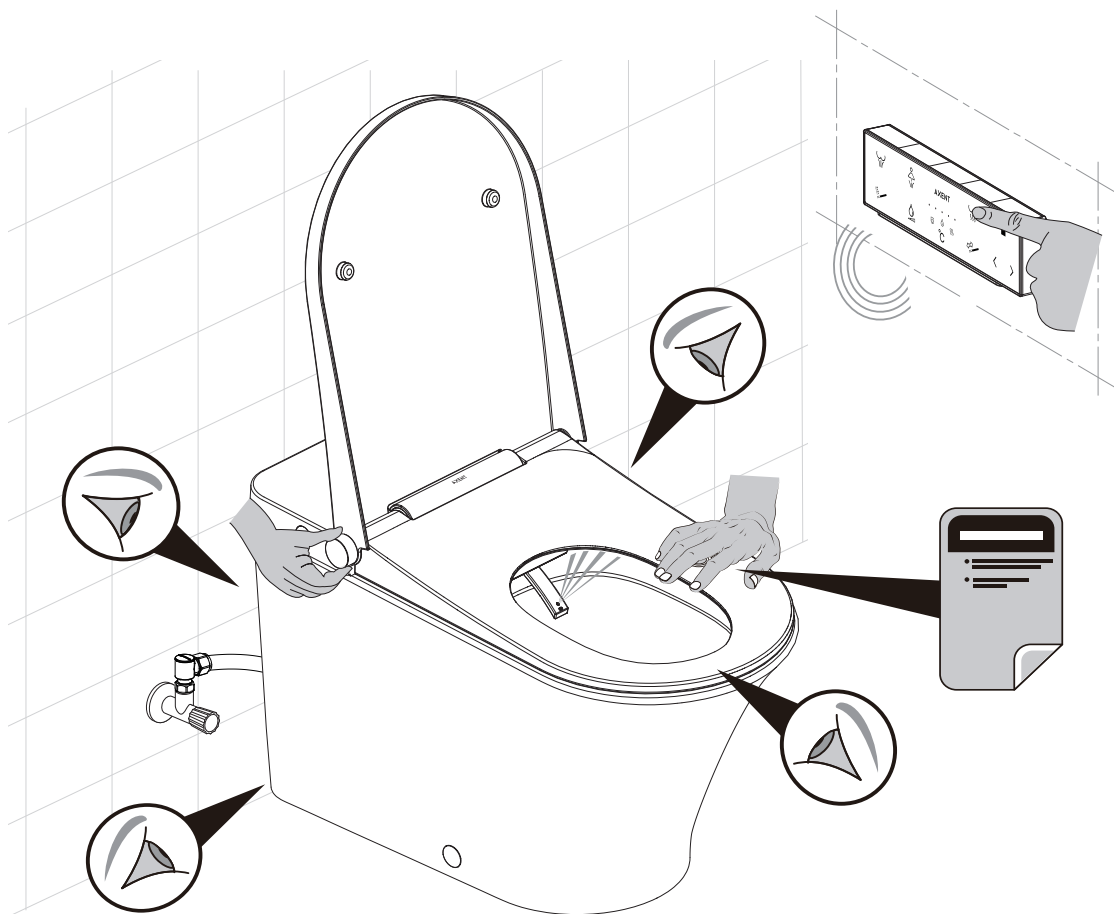


15



3

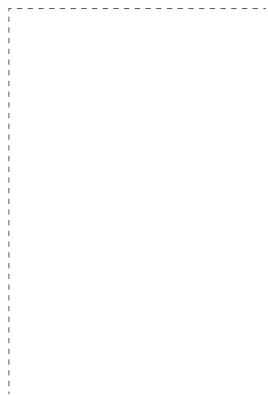
Test remote and bidet function after installation.







Place serial number sticker here  
for reference:



**AXENT Corporation Ltd.**

[www.axentbath.us](http://www.axentbath.us)  
[support@axentproducts.com](mailto:support@axentproducts.com)  
1-800-769-4857