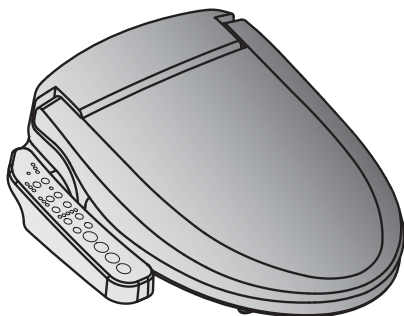
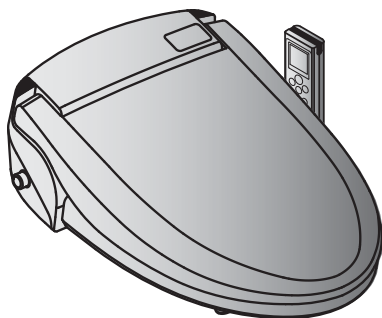


Personal Hygiene Appliance



< NB-1163E, NB-1163R >



< NB-R1063E, NB-R1063R >

- **This product was manufactured for household use only.**
- **Read all operating instructions before installation and use.**
- **Please save this operating instruction manual and place in an easily accessible location.**
- **External appearance and specifications are subject to change for improvement of product without notice.**

Elongated :
NB-1163E
NB-R1063E

Round Front :
NB-1163R
NB-R1063R

Contents

Important Safeguards	2
Grounding Instructions	4
Parts Identification	5
Basic Instructions	9
Functions & Operation	10
Installation	14
Trial Operation	18
Detachment & Service request	19
Maintenance	20
Troubleshooting	22
Product Specifications	23
Product Registration	24

IMPORTANT SAFEGUARDS

READ ALL INSTRUCTIONS BEFORE USING.

DANGER To reduce the risk of electrocution.

- Do not use while bathing.
- Do not place or store product where it can fall or be pulled into a tub or sink.
- Do not place in or drop into water or other liquid.
- Do not reach for a product that has fallen into water. Unplug immediately.

WARNING To reduce the risk of burns, electrocution, fire or injury to persons.

- Close supervision is necessary when this product is used by, on, or near children or invalids.
- Use this product only for its intended use as described in this manual. Do not use any attachments unless recommended by the manufacturer.
- Never operate this product if it has a damaged cord or plug, if it is not working properly, if it has been dropped or damaged, or dropped into water. Return the product to a service center for examination and repair.
- Keep the cord away from heated surfaces.
- Never block the air openings of the product or place it on a soft surface, such as a bed or couch, where the air openings may be blocked. Keep the air openings free of lint, hair, and the like.
- Never use while sleeping or drowsy.
- Never drop or insert any object into any opening or hose.
- Do not use outdoors. or operate where aerosol(spray) products are being used or where oxygen is being administered.
- Connect this product to a properly grounded outlet only. See Grounding Instructions.
- Any other servicing should be performed by an authorized service representative.
- Do not dismantle, repair, or alter the unit.
- Do not pour or spray water on to the unit.
- The unit must be grounded.
- Do not touch the power plug with wet hands.
- Properly connect the power cord to the electrical outlet corresponding to the rated voltage of the unit.
- Do not use damaged or loose power cord.
- Do not use steam cleaner.
- Keep the unit away from fires or inflammable substance.
- Do not connect to the industrial water supplies.
- Do not connect other electrical appliances to the same power socket connected to the unit.
- Replace damaged power cord and plug by authorized service center.
- Caution against low temperature burns.
- Before removing the unit from the toilet bowl, disconnect the power plug first.

CAUTION To reduce the risk of injury to persons or damage to the product or the property.

- **Do not place heavy objects or step on the unit.**
It may cause product damage or injury.
- **When cleaning the unit, do not use any chemicals. Clean the unit with moist, well-wrung soft cloth. For excessive stains, use soft cloth moistened with mild dish-wash detergent and wipe out with dry cloth.**
It may cause product damage.
- **Do not slam down the lid.**
It may cause product defect.
- **Do not lean on the lid.**
It may cause product defect.
- **When not in use for a long period of time, disconnect the power plug.**
- **Do not twist or pull the connection hoses.**
It may affect water supply or cause water leakage.
- **Do not cover up the warm air outlet or insert hands or other objects.**
It may cause burn or electric shock.
- **Do not operate the unit during product malfunction.**
Disconnect the power plug and call the authorized service center.
It may cause fire or electric shock if the unit is operated while it is out of order.

SAVE THESE INSTRUCTIONS

INFORMATION TO THE USERS

This equipment has been tested and found to comply with the limits for a Class B digital device, pursuant to part 15 of the FCC Rules. These limits are designed to provide reasonable protection against harmful interference in a residential installation. This equipment generates, uses and can radiate radio frequency energy and, if not installed and used in accordance with the instructions, may cause harmful interference to radio communications. However, there is no guarantee that interference will not occur in a particular installation. If this equipment does cause harmful interference to radio or television reception, which can be determined by turning the equipment off and on, the user is encouraged to try to correct the interference by one more of the following measures:

- Reorient or relocate the receiving antenna.
- Increase the separation between the equipment and receiver.
- Connect the equipment into an outlet on a circuit different from that to which the receiver is connected.
- Consult the dealer or an experienced radio/TV technician for help.

WARNING

Any changes or modifications not expressly approved by the manufacturer could void the user's authority to operate the equipment.

GROUNDING INSTRUCTIONS

GROUNDING INSTRUCTIONS

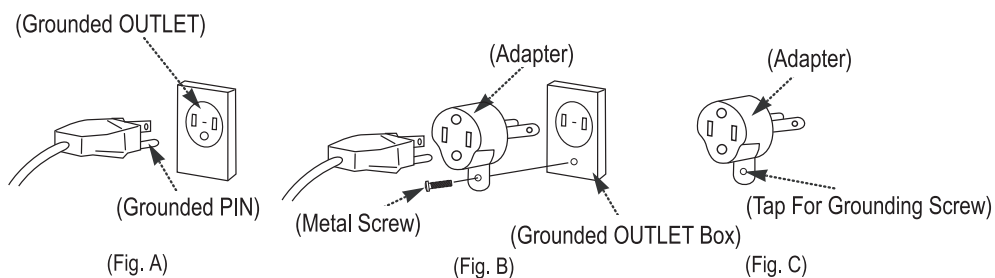
- This product should be grounded. In the event of an electrical short circuit, grounding reduces the risk of electric shock by providing an escape wire for the electric current. This product is equipped with a cord having a grounding wire with a grounding plug. The plug must be plugged into an outlet that is properly installed and grounded.

DANGER - Improper use of the grounding plug can result in a risk of electric shock.

If repair or replacement of the cord or plug is necessary, do not connect the grounding wire to either flat blade terminal. The wire with insulation having an outer surface that is green with or without yellow stripes is the grounding wire.

Check with a qualified electrician or serviceman if the grounding instructions are not completely understood, or if in doubt as to whether the product is properly grounded.

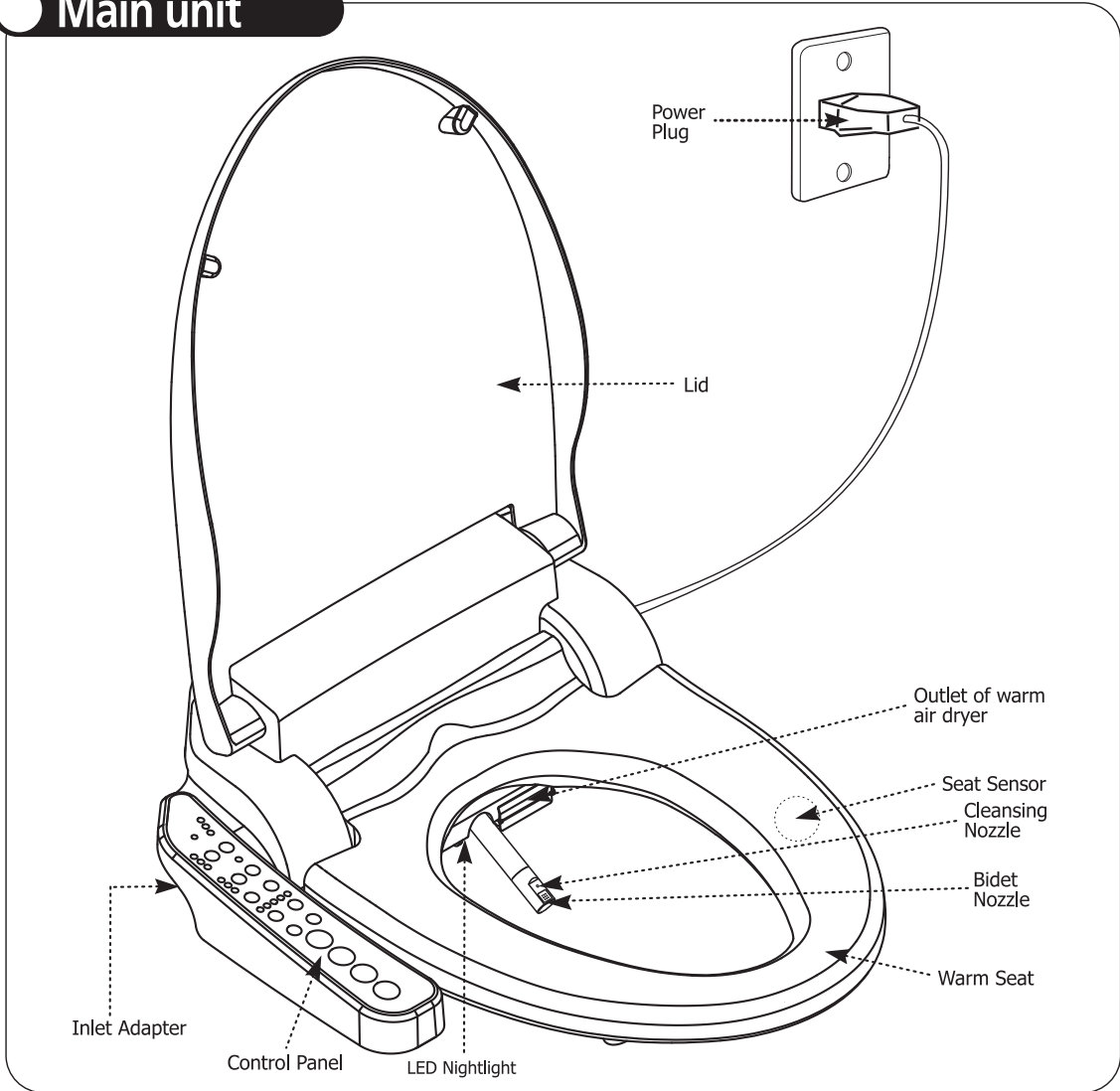
- This product is for use on a nominal 120 V circuit, and has a grounding plug that looks like the plug illustrated in Figure A. A temporary adapter, which looks like the adapter illustrated in Figure B and C, may be used to connect this plug to a 2-pole receptacle as shown in Figure B if a properly grounded outlet is not available. The temporary adapter should be used only until a properly grounded outlet (Figure A) can be installed by a qualified electrician. The green colored rigid ear, lug, and the like extending from the adapter must be connected to a permanent ground such as a properly grounded outlet box cover. Whenever the adapter is used, it must be held in place by the screw.
- If it is necessary to use an extension cord, use only a three wire extension cord that has a three-blade grounding plug, and a three-slot receptacle that will accept the plug on the product. Replace or repair a damaged cord.



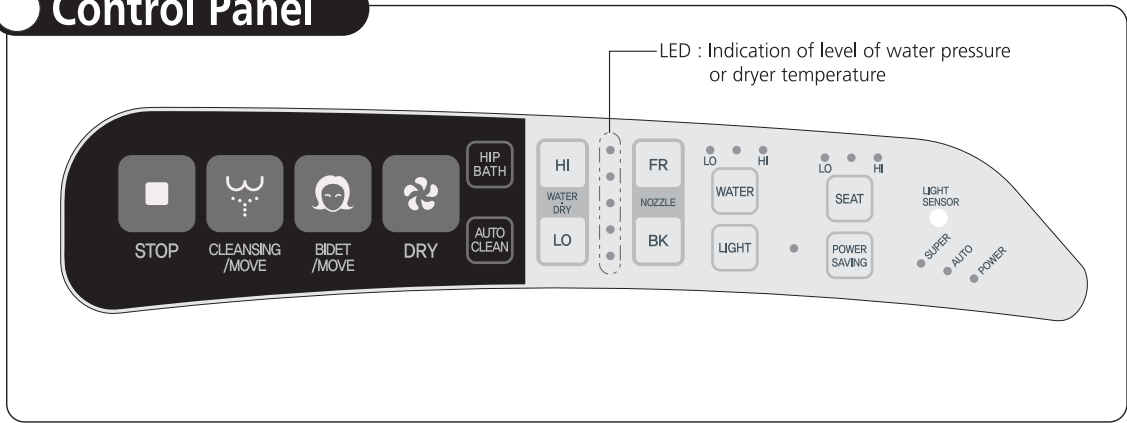
Parts Identification

NB-1163E/1163R

Main unit



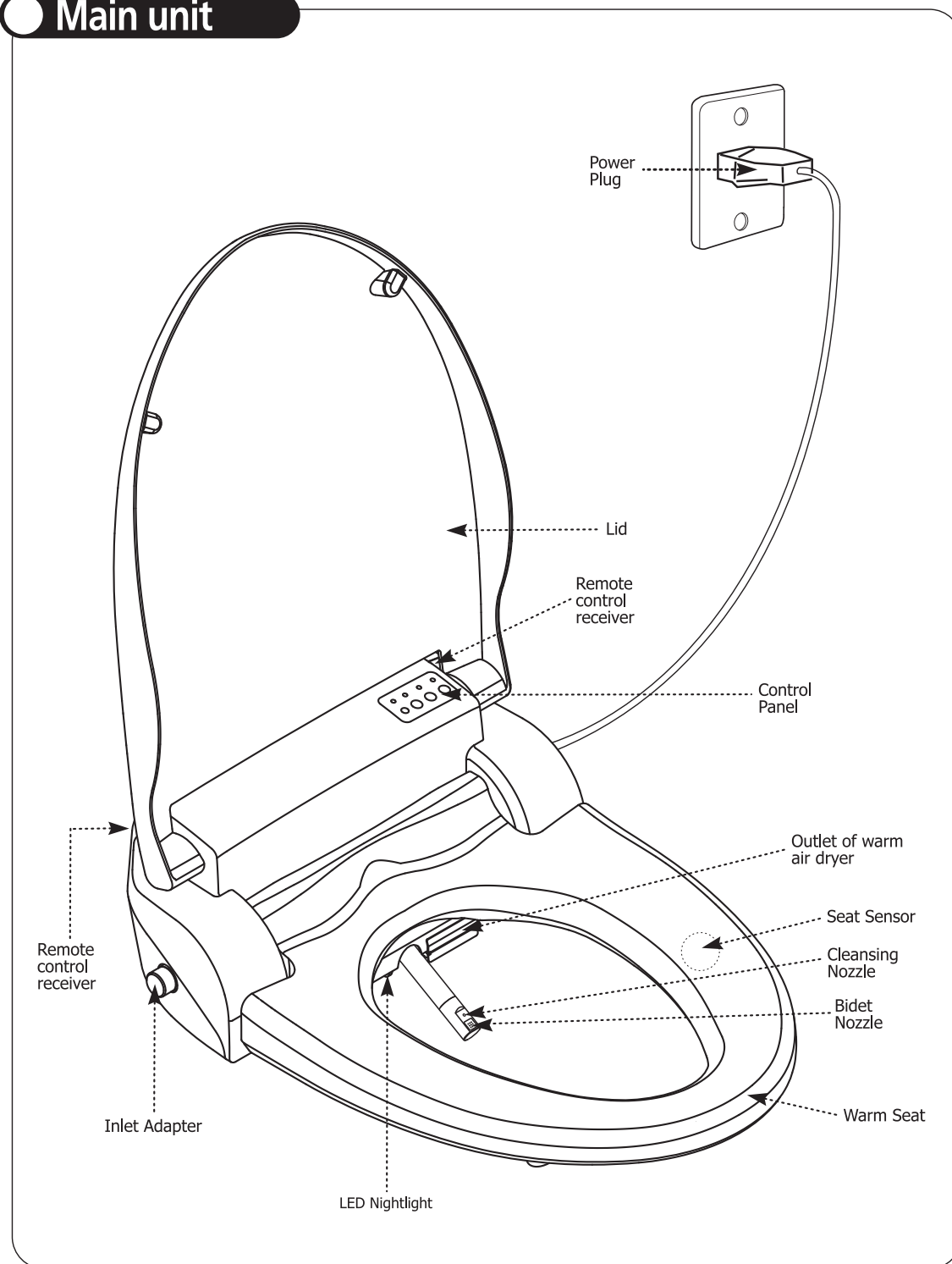
Control Panel



Parts Identification

NB-R1063E/R1063R

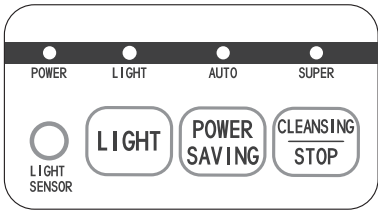
Main unit



Control Panel











< Remote control >



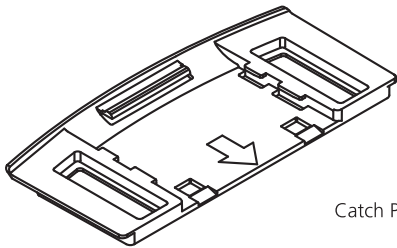
< Unit control panel >

< Icons on the LCD window of remote control >

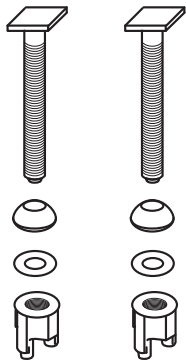
-  : Lighting when pressing "CLEANSING" or "HIP BATH" button.
-  : Lighting when pressing "BIDET" button.
-  : Lighting when pressing "DRY" button.
-  : Lighting when pressing "CLEANSING", "BIDET", "HIP BATH" and "AUTO CLEAN" button.
Controlling level of HI and LO.
Number of "—" : Lo(1), Mid.(3), Hi(5)
-  : Lighting when pressing "DRY" or "AUTO CLEAN" button.
Controlling the level of HI and LO.
Number of "I" is the level of DRY temperature.
-  : Number of "I" is the level of WATER temperature.
-  : Number of "I" is the level of SEAT temperature.
-  : Lighting when pressing "AUTO CLEAN" button.

Parts Identification

Accessory Parts (NB-1163E, NB-1163R)



Catch Plate

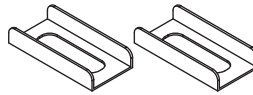


Fixation Bolts

Rubber Packings

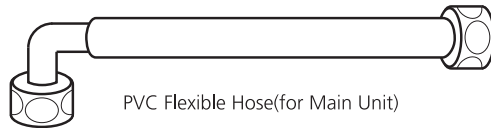
Washers

Fixation Nuts

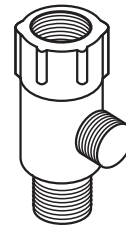


Brackets

For the installation on toilets with top tighten bolts
(Refer to installation)

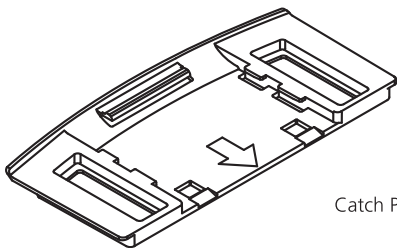


PVC Flexible Hose(for Main Unit)

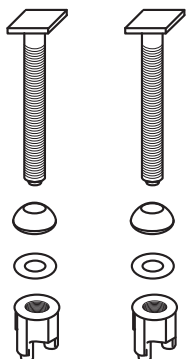


T-valve

Accessory Parts (NB-R1063E, NB-R1063R)



Catch Plate

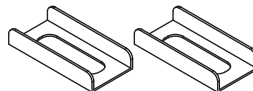


Fixation Bolts

Rubber Packings

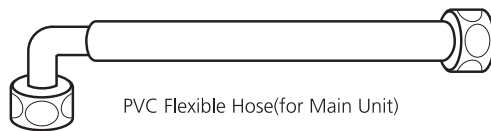
Washers

Fixation Nuts

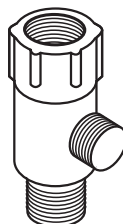


Brackets

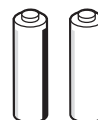
For the installation on toilets with top tighten bolts
(Refer to installation)



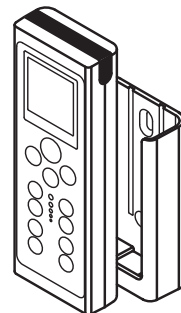
PVC Flexible Hose(for Main Unit)



T-valve



Batteries



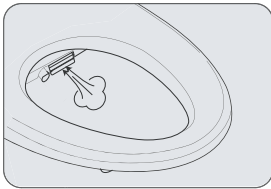
Remote control
& Holder

Basic Instructions

[Remote control equipped model]

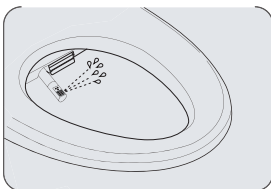
- The control panel on the body of a unit is designed just in case, and therefore water pressure can not be adjusted through it. When water pressure control is needed, press the "CLEANSING" button on the remote control and adjust water pressure with "HI" or "LO" button.
- The icons on the LCD display is shown only by operating remote control not by operating control panel on the body of a unit.
- Do not drop it, spill on it. It will cause damage and problems.

① Sit on the seat



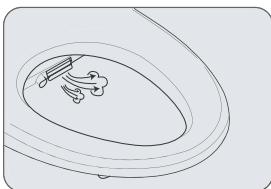
- If the seat is occupied, a beep sounds and the indication of water is shown.
[Remote control equipped model : A beep sounds only.]

② Press the "CLEANSING" or "BIDET" button



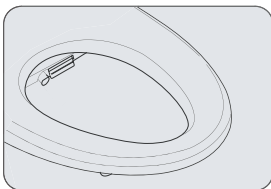
- Operate either the "CLEANSING" or the "BIDET" function.
- Each function operates for 90 seconds.
- Move cleansing runs by pressing "CLEANSING" or "BIDET" button while using.
- It beeps if cleansing or bidet cleansing function is over.

③ Press the "DRY" button



- Dryer function will operate for 3 minutes.
- It beeps if dryer function is over.
- Drying operation can be maximized by gently wiping wet area with toilet paper.

④ Press the "STOP" button



- Stops all operating functions.

- When using the unit, please sit in center.
- The seat sensor is installed the inside of the seat part. (Please refer to 5,6 page.) The unit begins to operate only when a user's skin touch on the seat sensor. **In case of a seat cover or something on the seat, the seat sensor may not operate because the seat sensor can't sense a user's skin.**

Functions & Operation

● Move (Oscillating Wash)

- Move cleansing runs by pressing "CLEANSING" or "BIDET" button while cleansing or bidet cleansing.
- Nozzle stops by pressing "CLEANSING" or "BIDET" button again.

● Water Pressure Adjustment

- The unit remembers the last water pressure settings.
- Water pressure can be adjusted by pressing the "HI" or "LO" button.
Controlling 3 levels : Lo / Mid. / Hi

● Nozzle Position Adjustment

- Press the "FR" or "BK" button to adjust the nozzle position during "CLEANSING" or "BIDET" function.
- It returns to the first middle position when finishing and moving away the seat.

● Water Temperature Adjustment

- Press the "WATER" button to adjust the water temperature level. Select the desired level.
Controlling 3 levels : Lo / Mid. / Hi

● Warm Seat Temperature Adjustment

- Press the "SEAT" button to adjust the seat temperature level. Select the desired level.
Controlling 3 levels : Lo / Mid. / Hi

※ The unit remembers the water and seat temperature settings even if the power is shut off.
No need to readjust the temperature settings after a power failure.

Warm Air Dryer Temperature Adjustment

- The unit remembers last warm air temperature settings.
Press "HI" or "LO" button to adjust the temperature of the warm air. (1~5 Level)

LED Nightlight

- LED Nightlight activates by pressing "LIGHT" button and LED Nightlight function runs automatically when getting dark. To cancel the LED Nightlight function, press "LIGHT" button again and LED goes OFF.
- When LED Nightlight function runs, Bidet senses automatically toilet light and LED Nightlight goes on. User can use conveniently bidet without toilet light.
- Electric power consumption is little and use the LED Nightlight function without care about the electric charge.

Auto Power Saving

- Locate the LED indication at "AUTO" position by pressing "POWER SAVING" button.
- It maintains 30 °C(86 °F) for seat temperature each in the auto power saving mode.
- Auto power saving function is temporarily released, when sitting on the seat.
Auto power saving function runs again, when moving away from the seat.
- To cancel auto power saving function, press "POWER SAVING" button, then LED indication goes OFF.

Super Power Saving

- Locate the LED indication at "SUPER" position by pressing "POWER SAVING" button.
- Bidet senses toilet luminosity for itself and shows excellent power saving efficiency in the super power saving mode.
- Seat temperature maintain normal temperature in the super power saving function and power saving mode is temporarily released when toilet lightning goes ON.
- It returns to normal mode from power saving mode even if occupying the seat in dark condition.
- To cancel super power saving function, press "POWER SAVING" button, then LED indication goes OFF.

Functions & Operation

Hip Bath function

- Operating for 3 minutes with move function by the auto setting of "Lo" level of water pressure and "Hi" level of water temperature.
(Water temperature and water pressure(Lo – Mid.) can be adjusted by the user preference.)
- During the hip bath function, user can turn on or off the move function by pressing "HIP BATH" button.
- When hip bath function is finished or if pressing "STOP" button, the setting returns to the condition of pre-setting of hip bath.

Auto Cleansing

- Move cleansing and warm air dryer run for 1 minute each by pressing "AUTO CLEAN" button.
- The Medium level for water pressure, the 2nd level for warm air dryer temperature and the 3rd level of nozzle position are automatically set-up. (Water pressure, warm air dryer temperature and nozzle position can be adjusted according to user preference)
- When using auto clean function, Sensor for ces to set the water & seat temperature to "Medium", in case the temperature were set up on the "High" position.
(Can adjust the water & seat temperature according to user preference)
- Buzzer sounds if the auto clean function finishes.
- Can return to previous auto-clean function that was set up when canceling auto-clean function or pressing stop button.
- Useful function for the old, the weak, and children.

Power On/Off

- Press the "STOP" button for more than 4 seconds and then the power indication light goes off. Unit will be power off completely. [Remote control equipped model : "CLEANSING/STOP" button]
- Press any button, then power goes ON lighting up the "POWER" LED.
[Remote control equipped model : Except "FR", "BK", "HI", "LO" button on the remote control]
- The unit remembers all of the prior settings in spite of an electrical outage so no need to reset functions after power is back.

Nozzle Cleaning

- Press the "CLEANSING" and "BIDET" button simultaneously on the unit control panel.
The nozzle comes out and stops.
[Remote control equipped model : "CLEANSING/STOP" and "POWER SAVING" button]
- Clean the nozzle manually with a soft brush. Press the "STOP" button and the nozzle returns to its storage position, then self-cleaning function is operated.
[Remote control equipped model : "CLEANSING/STOP" button]


Burn protecting system at the low temperature

- Seat temperature goes down in case the temperature position is "HI" when sitting on the seat for over 30 minutes. (May cause burns at the low temperature in case sitting on the seat for a long time.)
- It returns to set point when resetting or moving away from the seat.

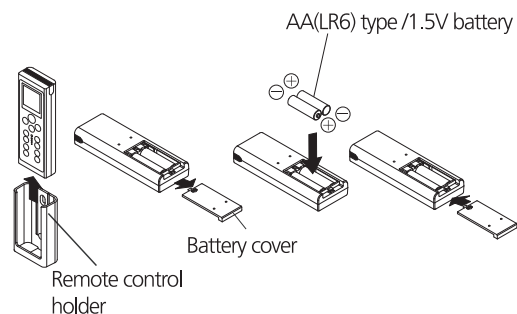
Self Nozzle Cleaning

- Before and after each operation, the self nozzle cleaning function runs and sanitizes the nozzle head.

Changing batteries of remote control (Remote control equipped model)

- While not in use, LCD display is designed to automatically go out for battery saving. For about 4 minutes, any button is not pressed, LCD display goes out automatically.
- Please change the used batteries into new ones when "  " icon blinks. The battery life cycle is estimated for about one year.
- Battery type : AA size Alkaline (LR6) battery, 2ea

1. Separate the remote control from the remote control holder.
2. Open the battery cover and change to new batteries. (Battery life time : about 1 year)
3. Close the battery cover and insert the remote control into the remote control holder.



⚠ Caution

- Battery type to be inserted is AA(LR6) /1.5V. Risk of explosion if battery is replaced by an incorrect type. Dispose of used batteries according to the instruction.
- Insert the batteries according to the (+) , (-) indications marked on the remote control.
- Do not use the used battery and new one together.

Installation

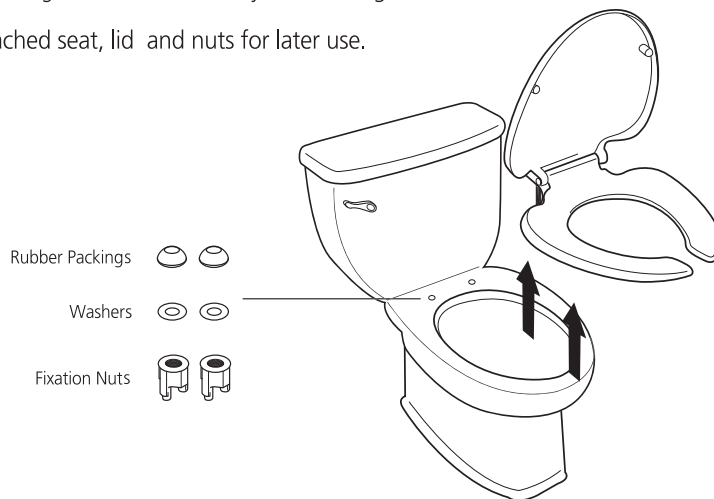


Caution before installation!

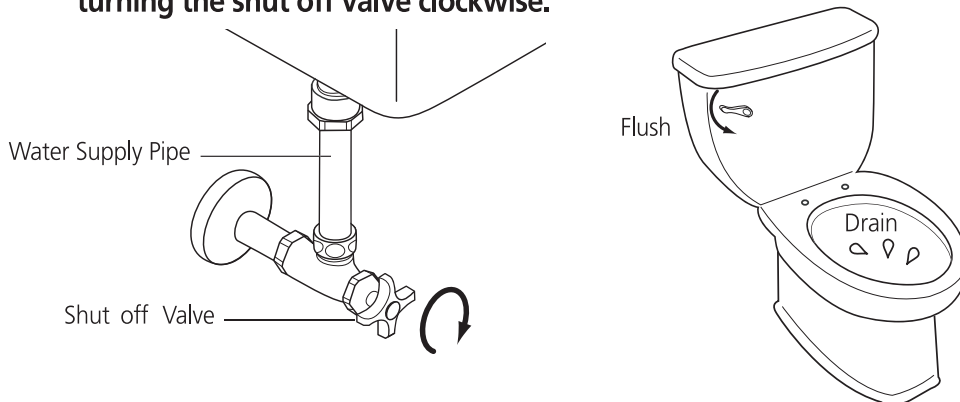
- Check whether the size and shape of the toilet seat are suitable for installation.
- Check all the accessory parts are in place.
- Do not connect the power until installation is finalized.
- Ground connection should be done by authorized service person only.

1 Remove the existing toilet seat.

- Remove the existing toilet seat and lid by unfastening fixation nuts underneath.
- Keep the detached seat, lid and nuts for later use.

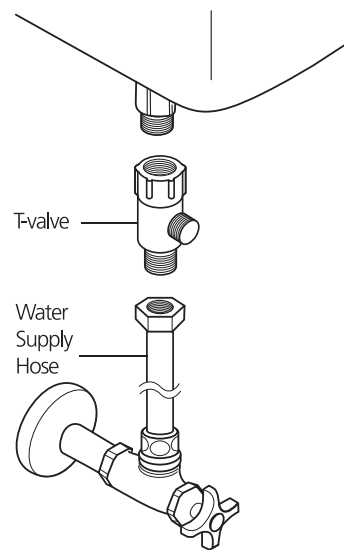


2 Drain toilet water tank completely after turning off the water supply by turning the shut off valve clockwise.



3 Detach the water supply hose on the part of the toilet water tank, then install the T-valve.

- In case of a rigid pipe, T-valve cannot be installed. Needs to purchase and install the separate flexible hose(for water tank).

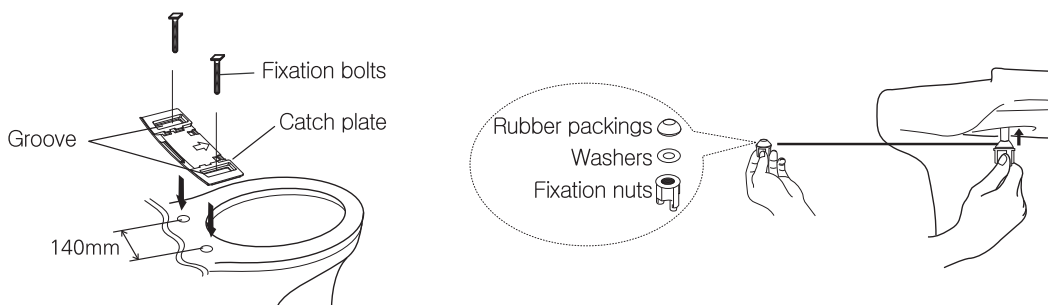


4 Place the groove of the catch plate on the fixation holes of the toilet.

- Possible to install for 140mm hole distance only.

5 Insert the fixation bolts into the holes of the toilet.

6 Fix the catch plate tightly by fastening the Fixation bolts with Rubber packings, Washers, Fixation nuts.

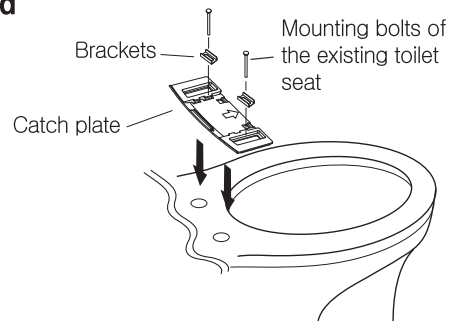


Installation

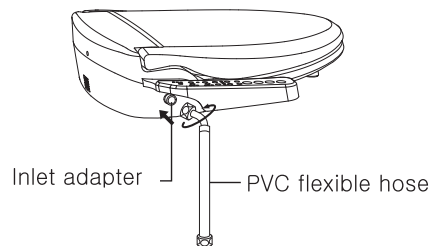
< For toilets with top tighten bolts >

Please, use brackets included in the package and the mounting bolts of the existing toilet seat.

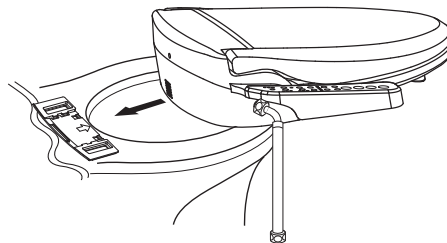
- 4 Place the groove of the catch plate on the fixation holes of the toilet.
- 5 Set in place the brackets on the catch plate.
- 6 Fasten the catch plate with bolts (unfastened bolts from a existing toilet seat).



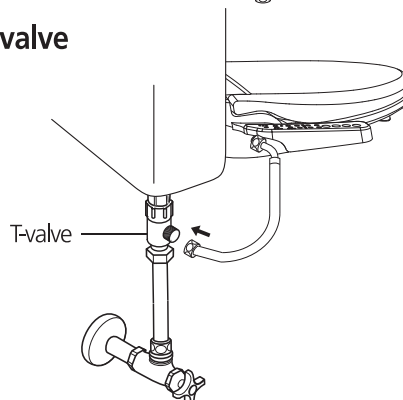
- 7 Connect the PVC flexible hose to the unit.



- 8 Slide the unit to the catch plate installed according to grooves underneath the unit.

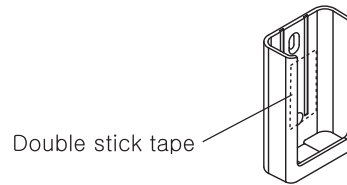


- 9 Connect the PVC flexible hose to the T-valve

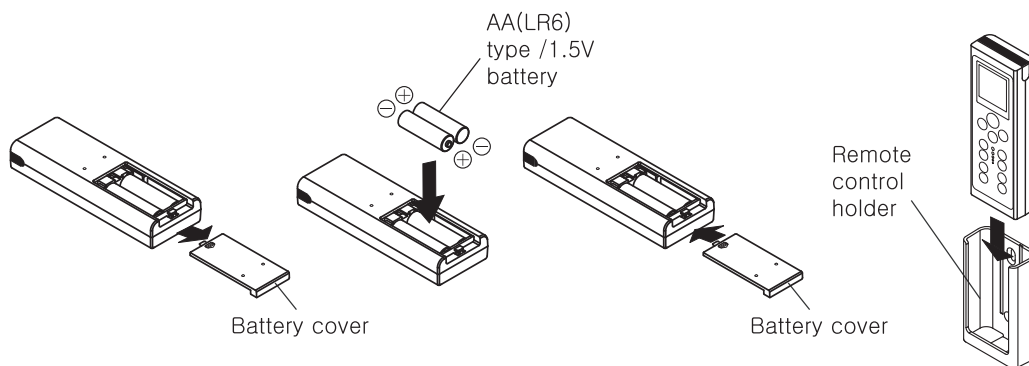


[Remote control equipped model]

- 10** Attach the remote control on the wall with double stick tape

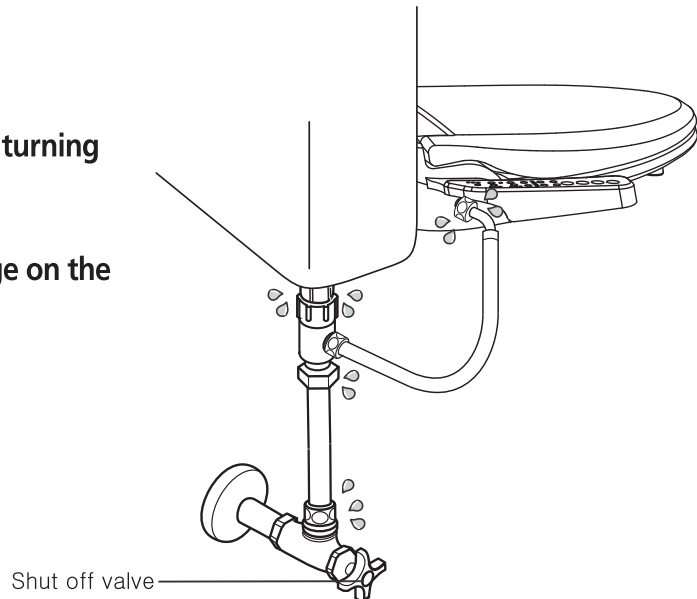


- 11** Insert batteries as illustration below and put the remote control into the remote control holder.



Trial Operation

- 1 Open the shut off valve by turning counterclockwise.
- 2 Check for any water leakage on the connection hoses.



3 Connect the power plug.

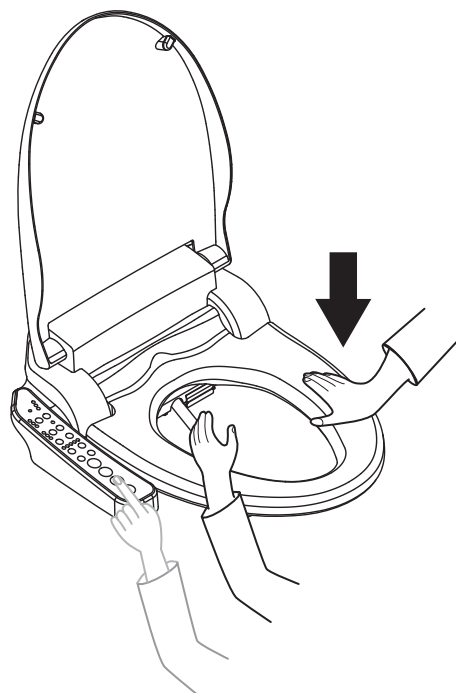
- If the power indication light is not turned on after the power plug connection, press any button, then power goes ON.
[Remote control equipped model : Except "FR", "BK", "HI", "LO" button on the remote control]

★ WARNING

Do not turn over or move the unit after power connection.
It may cause electric shock.

- 4 To test the water spray operation, press either "CLEANSING" or "BIDET" button putting a hand on the seat sensor.

*Cover the nozzle with a hand for water not to spatter out.

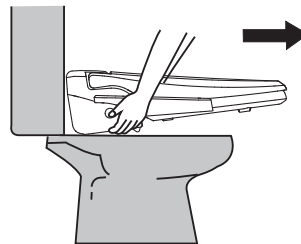


Detachment and Service Request

Follow the below instructions if in need to detach the unit for to move.

- 1 Disconnect the power plug.
- 2 Close the water supply by turning the shut off valve clockwise and drain the toilet water tank completely.
- 3 Disconnect the PVC flexible hose from the T-valve and unfix the unit from the toilet. And unfix the catch plate from the toilet.

To detach the unit, pull forward at a state of lifting up the front part of the unit as shown on the illustration.



- 4 Disconnect the T-valve.
- 5 Connect the water-supply hose to the toilet water tank.
- 6 Open the shut off valve by turning counterclockwise and check any leakages on the connections.
- 7 Reinstall the original seat and lid to the toilet.

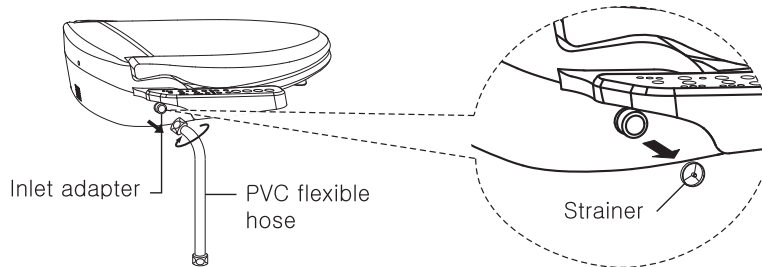
< For service request >

Please send the unit detached to service center with a strong packing materials not to be damaged in transit. For the information of service center, please refer to "Product Registration" on the operating instruction manual.

Maintenance

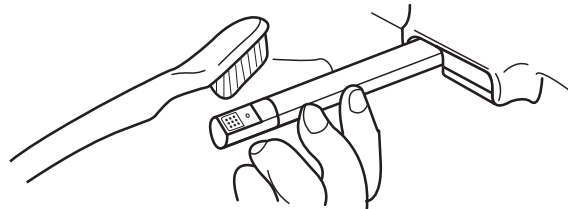
Cleaning the Water Strainer

- 1 Close the water supply by turning the shut off valve clockwise and drain the toilet water tank completely.
- 2 Detach the PVC flexible hose from the inlet adapter.
In case of uncommon toilet bowl, the hose may not be detached easily.
On this occasion, detach the body of a unit from toilet bowl first, and detach the hose from the inlet adapter.
- 3 Begin by detaching the strainer from the inlet adapter, clean and insert it again.
(In case that it is hard to detach the strainer with a hand, try again with a kind of nippers)
- 4 After attaching the hose to the inlet adapter, turn the water supply valve to the left and have it opened.



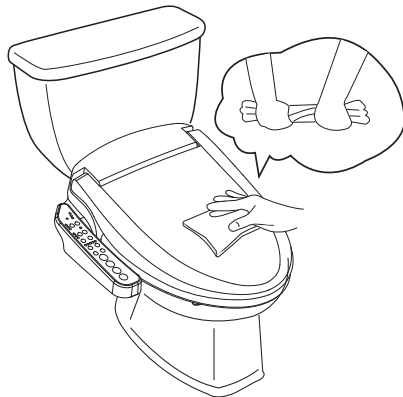
Cleaning the Nozzle

- 1 Press the "CLEANSING" and "BIDET" button simultaneously.
The nozzle comes out and stops.
[Remote control equipped model : "CLEANSING/STOP" and "POWER SAVING" button]
- 2 Clean the nozzle manually with a soft brush. To return the nozzle to its storage position, press the "STOP" button. Then nozzle self cleaning function is automatically activated.
[Remote control equipped model : "CLEANSING/STOP" button]



External Cleaning

- The external case of the unit is made of the plastic which may be damaged by scrubbers, chemicals, etc. Do not use any chemicals.
- Clean the unit with a tightly wrung wet soft cloth. Do not spray water the unit.
- Disconnect the power plug when cleaning. Please be careful not to splash the water to the plug or socket.
- Touching the power socket with wet hands can cause an electric shock.



Troubleshooting

Check the followings details before calling for service.

Problem Description	Possible Causes
Unit does not operate at all	<ul style="list-style-type: none"> • The power is OFF. ☞ Press any button to check. Remote control equipped model : Except "HI", "LO", "FR", "BK" buttons of the remote control. • The power plug is not connected. • There is a power failure.
Cleansing, Bidet, Dry, Autoclean, Hip bath do not operate	<ul style="list-style-type: none"> • A seat cover or something is laid on the seat. ☞ Have you checked If a seat cover or something had been on the surface of seat? The unit begins to operate only when a user's skin touch on the seat sensor.
Remote control does not operate at all [Remote control equipped model]	<ul style="list-style-type: none"> • Batteries in the remote control have been exhausted . • The toilet lighting is the three wave lamp. ☞ Remote control may not run if the toilet lighting is the three wave lamp. Please adjust the position of the remote control or recommend changing the toilet lighting to normal lamp in case the remote control does not run in spite of position adjustment.
No water spray	<ul style="list-style-type: none"> • The shut off valve is closed. • There is water supply outage.
Low water pressure	<ul style="list-style-type: none"> • The water pressure level is set to "LO" . • The water strainer is clogged.
Water temperature is low	<ul style="list-style-type: none"> • The water temperature level is turned off or set to "LO" .
Seat is not warm	<ul style="list-style-type: none"> • The warm seat temperature level is turned off or set to "LO" .
Dryer air is not warm	<ul style="list-style-type: none"> • The warm air dryer temperature level is turned off or set to "LO" .

Product Specifications

Item		NB-1163E NB-1163R	NB-R1063E NB-R1063R
Power Supply		120V~, 60Hz	
Max. Power Consumption		1460W	
Length of Power Cord		3.94ft (1.2m)	
Water Supply Connection		Direct connection to the water supply	
Water Supply Pressure		14.223psi~106.675psi (98 - 735kPa)	
Cleansing	Water Flow Rate	Cleansing	Max. 0.185gal/min (0.7 ℓ /min)
		Bidet	Max. 0.185gal/min (0.7 ℓ /min)
	Water Pressure Adjustment	3 Levels	
	Temp. Adjustment	Normal Temp.,. 93.2°F(34°C), 98.6°F(37°C), 104°F(40°C)	
	Heater Capacity	1400W	
	Safety Device	Thermal Fuse, Thermostat	
Warm Seat	Temp. Adjustment	Normal Temp.,. 95°F(35°C), 100.4°F(38°C), 104°F(40°C)	
	Heater Capacity	55W	
	Safety Device	Thermostat	
Dry	Temp. Adjustment	Normal Temp. ~ 122°F(50°C) (5 Levels)	
	Heater Capacity	195W	
	Safety Device	Thermal Fuse, Bi-metal	
Water Supply Temp.		37.4°F(3°C) ~ 95°F(35°C)	
Temp. of circumstance for use		37.4°F(3°C) ~ 104°F(40°C)	
Product size	Elongated	1.52ft(W) x 1.74ft(L) x 0.51ft(H) (462mm x 530mm x 155mm)	1.26ft(W) x 1.74ft(L) x 0.51ft(H) (385mm x 530mm x 155mm)
	Round Front	1.52ft(W) x 1.62ft(L) x 0.51ft(H) (462mm x 495mm x 155mm)	1.26ft(W) x 1.62ft(L) x 0.51ft(H) (385mm x 495mm x 155mm)
Product weight	Elongated	9.04lbs(4.1kg)	8.60lbs(3.9kg)
	Round Front	8.82lbs(4.0kg)	8.38lbs(3.8kg)

Product Registration

For other issues or questions,
contact Hygiene For Health® Customer Service : 800-681-0753

● Contact Information

Hygiene For Health®
151 Ruths Place Suite 5
Sequim WA 98382
Tel. 800-681-0753
Fax. 360-681-4029
E-mail : ramblin@olyphen.com
Web : www.hygieneforhealth.com

● Warranty

Blooming Bidet is covered by one year warranty, valid from the original date of purchase.
To receive important product updates, Please complete & return the enclosed
registration card, or register your products through
www.hygieneforhealth.com

Hygiene For Health®

151 Ruths Place Suite 5
Sequim WA 98382
Tel. 800-681-0753
Fax. 360-681-4029
E-mail : ramblin@olyphen.com
Web : www.hygieneforhealth.com