



CleanSense® BIDET



The Clean Sense Bidet Company
151 Ruths Place, Suite #5
Sequim, WA 98382
Tel: 1-800-681-0753
www.CleanSenseBidet.com



CleanSense®

User Guide for DIB-1500R



Preparation

Installation

Operation

Maintenance
& Cleaning



This user's guide contains the product warranty certificate.

Be sure to read this user's guide carefully before use.

■ 120V 60Hz



www.CleanSenseBidet.com



**THIS UNIT WAS MANUFACTURED FOR HOUSEHOLD USE ONLY.
READ ALL OPERATING INSTRUCTIONS BEFORE INSTALLATION.**

Notes

- 1. This product should be installed according to this manual.
- 2. Please read this manual carefully and install properly.
- 3. Please save this manual and place in an easily accessible location.
- 4. Do not attempt to service this appliance yourself. Doing so could void warranty.

CONTENTS

1. Safety Instructions	4	Preparation
2. Product Characteristics	8	
3. Designation of Each Component	9	
4. Installation	11	Installation
5. Trial Operation	15	
6. How to Use the Product	16	Operation
7. User Settings	20	
8. Maintenance & Cleaning	22	Maintenance & Cleaning
9. Before Requesting Repair	24	
10. Product Specifications	25	
11. Functions	26	
12. Warranty Information	27	

Preparation

Installation

Operation

Maintenance & Cleaning

01. Safety Instructions

READ ALL INSTRUCTIONS BEFORE USING

IMPORTANT SAFEGUARDS

When using electrical products, especially when children are present, basic safety precautions should always be followed, including the following:

INSTALLATION

- In the case 120V 60Hz : Power supply must be a 15Amp GFCI outlet.
- The electrical cord is a minimum of 3ft. long.
- The electrical cord must be connected to a GFCI outlet.
- The GFCI outlet should be 1ft. above the floor.
- Install only in well-ventilated areas to avoid excess humidity.
- Do not install in narrow toilet stalls or in shower stalls. Install only where direct contact with water is minimized.
- Do not install near any heat source.
- Avoid using extension cords if possible. Consult with a certified electrician where extension cords are necessary.

DANGER - To reduce the risk of electrocution:

- ❶ Do not use while bathing.
- ❷ Do not place or store product where it can fall or be pulled into a tub or sink.
- ❸ Do not place in or drop into water or other liquid.
- ❹ Do not reach for a product that has fallen into water. Unplug immediately.

WARNING - To reduce the risk of burns, electrocution, fire, or injury to persons.

- ❶ Close supervision is necessary when this product is used by, on, or near children or those with limited mobility.
- ❷ Use this product only for its intended use as described in this manual.
- ❸ Do not use attachments not recommended by the manufacturer.
- ❹ Never operate this product if it has a damaged cord or plug, if it is not working properly, if it has been dropped or damaged, or dropped into water. Return the product to a service center for examination and repair.
- ❺ Keep the cord away from heated surfaces.
- ❻ Never use while drowsy.
- ❼ Never drop or insert any object into any opening or hose.
- ❽ Do not use outdoors or operate where aerosol (spray) products are being used or where oxygen is being administered
- ❾ Connect this product to a properly grounded outlet only. See Grounding Instructions.
- ❿ When using for the first time, please follow all instructions.

SAVE THESE INSTRUCTIONS

01. Safety Instructions

GROUNDING INSTRUCTIONS

This product should be grounded. In the event of an electrical short circuit, grounding reduces the risk of electric shock by providing an escape wire for the electric current.

This product is equipped with a cord having a grounding wire with a grounding plug. The plug must be plugged into an outlet that is properly installed and grounded.

DANGER - Improper use of the grounding plug can result in a risk of electric shock.

When repairing or replacing the cord or plug, do not connect the grounding wire to either flat blade terminal. The wire with insulation, having an outer surface that is green with or without yellow stripes, is the grounding wire. Check with a qualified electrician or serviceman if the grounding instructions are not completely understood, or if in doubt as to whether the product is properly grounded.

Grounded cord-connected products, rated 15 A or more, intended for use on a nominal 120 V supply circuit. This product is for use on a nominal 120 V circuit, and has a grounding plug that looks like the plug illustrated in Figure 1(A). A temporary adapter, which looks like the adapter illustrated in Figure 1(B) and (C), may be used to connect this plug to a 2-pole receptacle as shown in Figure 1(B), if a properly grounded outlet is not available.

The temporary adapter should be used only until a properly grounded outlet, Figure 1(A), can be installed by a qualified electrician. The green tab, nut, or other connector extending from the adapter must be connected to a permanent ground, such as a properly grounded outlet box cover. Whenever the adapter is used, it must be held in place by the screw.

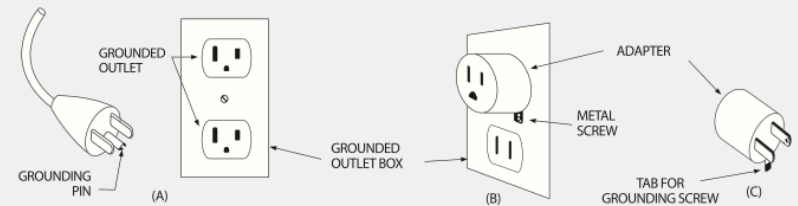


Figure 1.

02. Product Characteristics

● Continuous Warm Water Supply

Enjoy continuous warm water throughout the wash cycle.



● Enema Wash

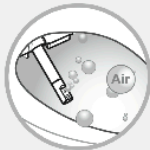
Soft but powerful water wash for added cleansing benefit.

CAUTION should be used when using enema wash.



● Bubble Wash

Aerated water wash adds cleaning comfort.



● Massage

Nozzle moves back and forth for massage effect.



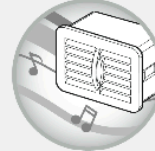
● Pulse

Pulsating wash repeatedly cycles from weak to strong.



● Deodorization Function

Helps eliminate odor in the bathroom.



● Energy Saving Function

Two energy saving modes, automatic and manual.



● Child Settings

Specialized nozzle position and water pressure for children.



● Remote Control Unit

Convenient wide LCD remote control provides easy user interface.



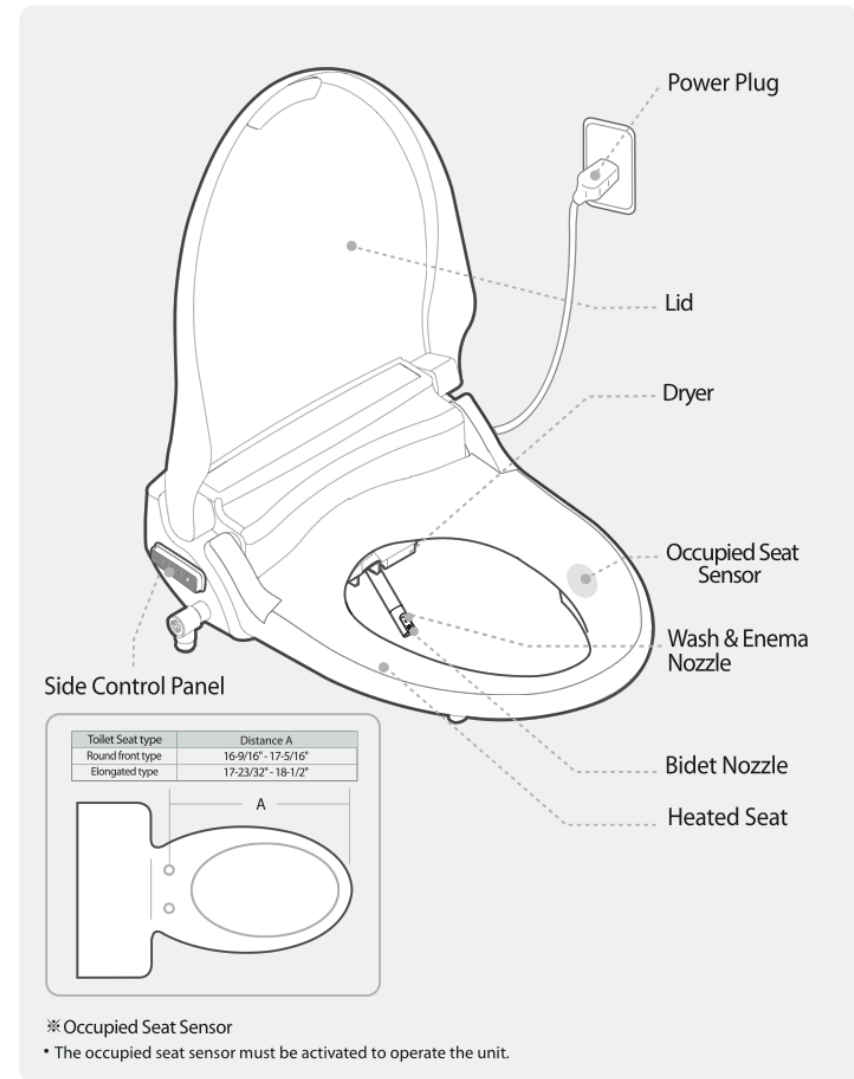
● User Preset

Users can preset and store desired function settings.



03. Designation of Each Component

Main Body



03. Designation of Each Component

Operation Panel

WASH
To run the WASH function. (2 minutes)

BIDET
To run the BIDET (feminine wash) function. (2 minutes)

ENEMA WASH
To run the ENEMA WASH. (2 minutes)

DRY
To run the DRY function. (3 minutes)

PULSE
Controls PULSE function when in WASH, BIDET & ENEMA WASH modes. Water pressure cycles between strong and weak. Disabled when Child button is pushed.

MASSAGE
Controls MASSAGE function. Nozzle moves forward and backward repeatedly.

NOZZLE CONTROL
To control the nozzle position.

POWER CONTROL
Water pressure and dry temp can be adjusted by pressing HI/LO.

STOP
To stop all functions.

CHILD
Child safety mode. All settings adjusted for children.

USER PRESET
Users can preset and store function settings.

WATER TEMP
Adjust water temperature: OFF-LO MED HI

SEAT TEMP
Adjust seat temperature: OFF-LO-MED-HI

ENERGY SAVING
1 Automatic Mode
2 Power Saving Mode
3 Cancel

Accessories

- Bolts
- Nuts
- Washers
- Cone Packings
- Bracket Holders
- Bracket
- T-valve
- Remote Control
- Bidet Water Supply Hose (T-valve to Bidet)
- Deodorizing Cartridge
- AA batteries (2)
- Remote Control Bracket
- Filter
- ※ Optional

04. Installation

Order of Installation

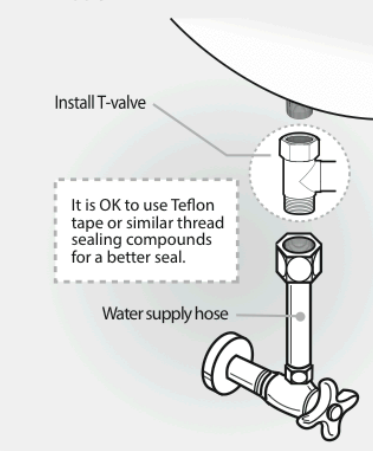
1 Remove the seat from the existing toilet.
Unscrew the nuts, then remove the seat and lid.
Keep the removed seat, lid and nuts to restore toilet to its original configuration in the future.



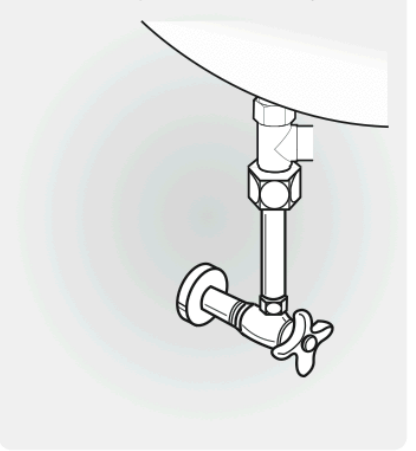
2 Close the water feed valve, flush the toilet 2-3 times, and disconnect hose at toilet tank.



3 Install T-valve, then re-connect water supply hose as shown below.

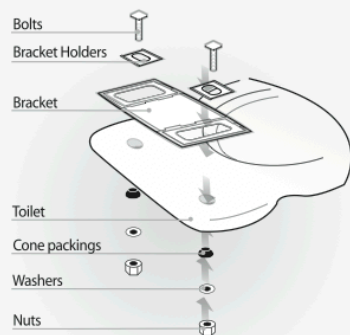


4 IMPORTANT!
Do not open water feed valve yet.

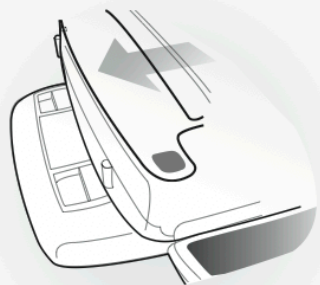


04. Installation

- 5** Mount the bracket onto the toilet.

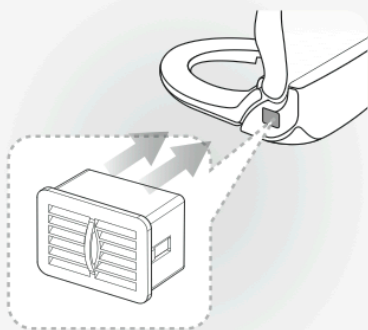


- 6** Push the main body toward the bracket completely.

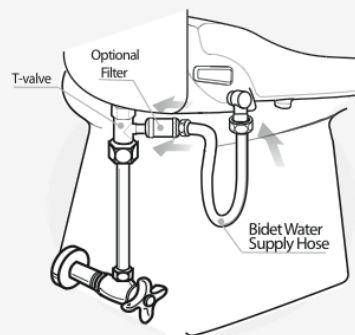


- ▶ Push it in until you hear it 'click'.
- ▶ If the product is not installed properly, it may drip water into the toilet.

- 7** Insert the deodorizing cartridge into the bidet body.



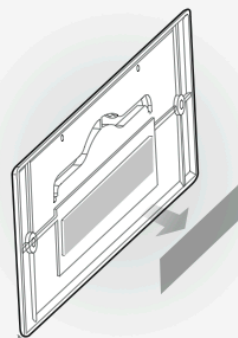
- 8** Connect one end of the Bidet Water Supply Hose to the T-valve (or optional Filter). Connect the other end to the bidet body as shown below.



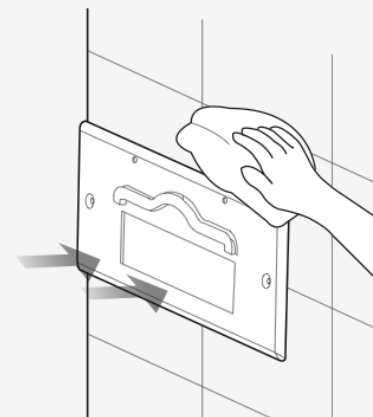
Remote control installation

- 1** Select a suitable location to mount remote control bracket. Make sure unit works with remote control placed in that location.

Once a workable location is found, remove the adhesive backing.

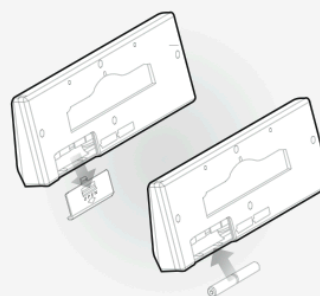


- 2** Clean location thoroughly, then install the remote control bracket.

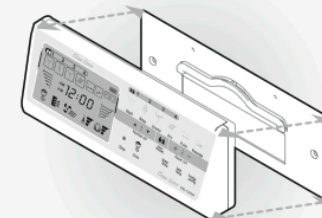


- 3** Remove back cover of remote control and insert supplied batteries, using the proper orientation. Close back cover.

※ **Caution**
Failure to install the batteries properly could cause damage or failure of the remote control unit.



- 4** Slide remote control into bracket securely.

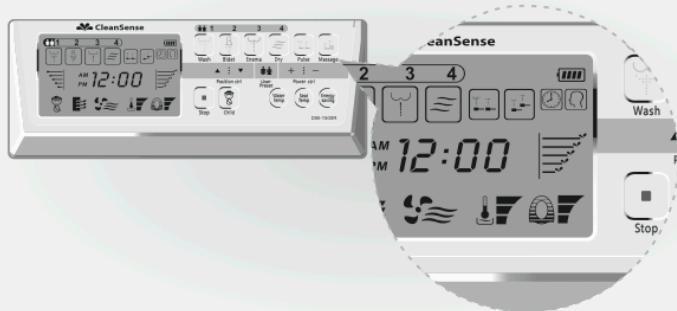


04. Installation

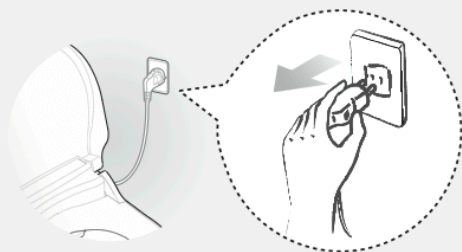
- 5 The battery life under normal use is up to 6 months. If the existing batteries are weak or dead, the LCD display will blink or the entire display may shut off temporarily. When replacing, make sure to use new AA alkaline-type batteries.

※ **Caution**

Do not use old and new batteries together.
This could cause damage or failure of the remote control.



- 6 If the unit does not work after replacing the batteries, unplug and wait for 3 seconds. Plug in again, and the unit will be ready for use.

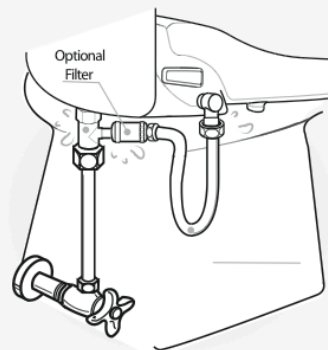


05. Trial Operation

Order of Trial Operation

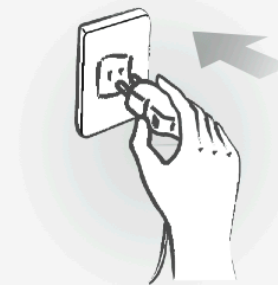
- 1 Open the water feed valve by turning it counter-clockwise.

▶ Make sure there is no water leaking around the hose connections.



- 2 Make sure the nozzle comes out and retracts when powered on.

▶ Don't plug the power cord with wet hands.
Risk of electric shock.



- 3 When the unit is powered on, the water will begin to flow and then stop.

▶ Sit on seat to test. (Bare skin contact is required.)



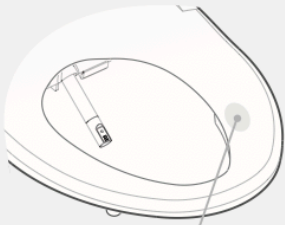
06. How to Use the Product

Basic Operation Method

1 Sit on the toilet seat.

- ▶ Be sure to sit on the seat sensor. If the sensor is not 'occupied', bidet seat functions will not operate.

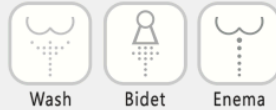
Deodorizing function starts automatically.



User sensor

2 Press WASH, BIDET, ENEMA WASH buttons.

- ▶ Selected functions can be used as desired with the following exceptions:
 - When selecting ENEMA WASH function, MASSAGE function cannot be used.
 - When selecting CHILD WASH function, ENEMA function cannot be used.
- ▶ Clean Sense's specialized water spray in ENEMA WASH function enters the rectum.
- ▶ After WASH/BIDET WASH function, dryer starts automatically.



3 Press Dryer Button.

- ▶ Dry function lights are illuminated. (5-levels)
- ▶ Dryer operates for 3 minutes.
- ▶ Drying will be improved if you wipe moisture lightly before operating drying function.



4 Press the STOP Button.

- ▶ All operations will stop.



Stop

5 MASSAGE WASH

- ▶ When pressing the MASSAGE button, the nozzle location will move back and forth to wash a wider area.
- When selecting MASSAGE function, ENEMA WASH function cannot be used.



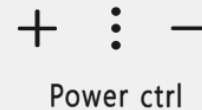
6 PULSE WASH

- ▶ When pressing the PULSE button during the operation of WASH/BIDET WASH and ENEMA WASH, water pressure will alternate between HI/LO levels for a smooth pulsating wash.



7 Water Pressure Control

- ▶ Control Water Pressure by pressing the HI/LO (Power ctrl) buttons.
- ▶ If the water or screen filters become blocked, it may cause low water pressure. Regularly check the water and screen filters for foreign material.



8 Nozzle Position Control

- ▶ Control Nozzle Position by pressing the front/back (Position ctrl) buttons.



06. How to Use the Product

Basic Operation Method

9 CHILD Function

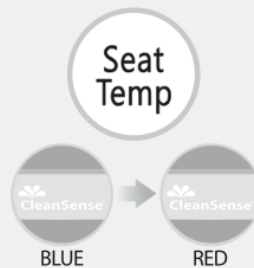
- ▶ All settings are adjusted for child.
- ▶ Nozzle moves forward more than adult wash.
- ▶ Water pressure is weaker than adult wash.
- ▶ Seat temperature is set at lower than adult setting.

Child Function is on when illuminated



10 SEAT TEMPERATURE Control

- ▶ Pressing the SEAT TEMP CONTROL button adjusts the temperature of the seat. ROOM TEMP - LO - MED - HI
- ▶ If the seat temperature reaches 93°F or more, the Seat Temperature Indicator turns RED, otherwise it remains blue.



11 WATER TEMPERATURE Control

- ▶ Pressing the WATER TEMP CONTROL button adjusts the temperature of the water. ROOM TEMP - LO - MED - HI

Water Temp

12 ENERGY SAVING Function

▶ Automatic Energy Saving Mode

When the button is pressed once, it enters into Automatic Energy Saving Mode.

When bidet seat is occupied, it adjusts to the LO setting, and then returns to the automatic saving mode when seat is unoccupied.

▶ Learning Energy Saving Mode

When the button is pressed twice, it enters into Learning Energy Saving Mode.

▶ Cancel Energy Saving Mode

When the button is pressed three times, the ENERGY SAVING MODE will be turned off.

※ Icons will appear on the LCD screen with each energy saving function.

13 Deodorizing function

- ▶ When sitting on the seat, the deodorizing function starts automatically.
- ▶ Deodorizing function can be controlled using the following methods:

While holding the STOP button, press the WATER TEMP button once. Deodorizing fan will rotate at slow speed during and after use of the bidet.

While holding the STOP button, press the WATER TEMP button twice. Deodorizing fan will rotate at a slow speed during use of the bidet, and at high speed after use.

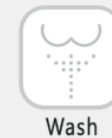
While holding the STOP button, press the WATER TEMP button three times. Deodorizing fan will rotate at high speed during and after use of the bidet.

- ▶ After use of the bidet, the deodorizing function operates for one minute.

14 Manual Nozzle Cleaning

- ▶ While not occupying the bidet seat, press and hold the WASH button on the unit's side panel (not on the remote) for 3 seconds. The nozzle will move to its fully extended position, so it may be cleaned easily. It will return to its normal position after 2 minutes.
- ▶ To manually retract the nozzle, press the STOP button. The nozzle will return to its normal position, and begin the self-cleaning operation.

※ For additional details see page 21.



REMOTE CONTROL USER PRESETS

Presets are used to store preferred settings for Nozzle Position, Water Pressure, Water Temperature, Seat Temperature, and Dryer Level for up to 4 users.

Configuring and Storing Presets

STEP A: Set Dryer Level

1. Press the DRY button.
2. When the Dry icon flashes on the LCD screen (D), use the Power Ctrl buttons + : - to set desired Dryer Level (Room Temp - LO - MED - HI).

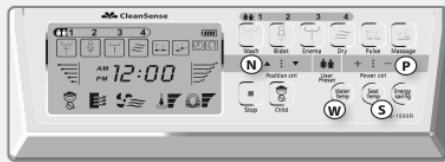


3. Press STOP button to exit Dryer settings. Go to STEP B on page 20.

07. User Settings

REMOTE CONTROL USER PRESETS (continued from page 19)

STEP B: Configure User Presets



1. Press the USER PRESET button for at least 3 seconds.



User numbers (1-4) will display in the upper left corner of the LCD screen. Numbers that have NOT already been configured by another user will begin to blink. (Changes to already configured presets will overwrite previous settings.) Select one of the available user numbers when storing presets in STEP C.

2. Press remote control buttons as shown below to set levels for each option. When finished go to STEP C.

(N) Nozzle Position (5 positions) Position ctrl

(P) Water Pressure (5 levels) Power ctrl

(W) Water Temperature (Room Temp - LO - MED - HI)

(S) Seat Temperature (Room Temp - LO - MED - HI)

STEP C: Assign User Number and Store Presets

1. Using the function buttons, assign a user number to the settings configured in STEP B. Be sure to select a number that has not already been configured to avoid overwriting another user's settings.

User 1: Press WASH button
User 2: Press BIDET button
User 3: Press ENEMA button
User 4: Press DRY button



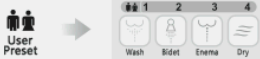
EXAMPLE: User "2" is indicated on the LCD screen when the BIDET button is pressed.



2. Press USER PRESET to store configured settings and exit preset mode.

Using Stored Presets

With the LCD screen in normal display mode, press USER PRESET and then a function button to select desired user and activate user's stored presets.



8-1. User setting with the remote control

● : Seat Switch 'Off' Status ○ : Seat Switch 'On' Status ◐ : Regardless of On/Off

No	Function	Seat Status	Switch Operation	Description	Initial Status																										
1	Time setting	◐	 Press both "STOP" and "CHILD" button for 3 seconds POSITION CONTROL Change the mode (hour/minute) by pressing "Nozzle position" POWER CONTROL Set the time by pressing "Power control"	 AM 12:00 PM 12:00 If the numbers blink, time setting is available.	" 12:00																										
	Release the time setting mode	◐	 Press "STOP" to finish the time setting																												
2	Selecting the speed of deodorizing fan	◐	 While pressing the "STOP", press "ENERGY SAVING" for longer than 3 sec.	<table border="1"> <thead> <tr> <th rowspan="2">Stop + Energy saving</th> <th colspan="2">Fan speed</th> <th rowspan="2">Display on LCD</th> </tr> <tr> <th>Occupied</th> <th>Unoccupied</th> </tr> </thead> <tbody> <tr> <td>Default</td> <td>High</td> <td>High</td> <td></td> </tr> <tr> <td>3 sec</td> <td>Off</td> <td>Off</td> <td></td> </tr> <tr> <td>5sec</td> <td>Low</td> <td>Low</td> <td></td> </tr> <tr> <td>7 sec</td> <td>Low</td> <td>High</td> <td></td> </tr> <tr> <td>9 sec</td> <td>High</td> <td>High</td> <td></td> </tr> </tbody> </table>	Stop + Energy saving	Fan speed		Display on LCD	Occupied	Unoccupied	Default	High	High		3 sec	Off	Off		5sec	Low	Low		7 sec	Low	High		9 sec	High	High		High speed in occupied mode. High speed in unoccupied mode.
			Stop + Energy saving	Fan speed		Display on LCD																									
Occupied	Unoccupied																														
Default	High	High																													
3 sec	Off	Off																													
5sec	Low	Low																													
7 sec	Low	High																													
9 sec	High	High																													

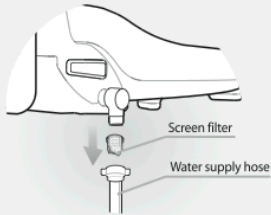
8-2. Extra functions with side control panel

No	Function	Seat Status	Switch Operation	Description
1	Nozzle cleaning	●	Press "WASH" for longer than 3 sec.	Nozzle will move forward for cleaning.
			Press "STOP"	Nozzle will retract and clean itself.
2	Power off	●	Press "STOP" for 3 sec.	Press "STOP", "WASH", or "BIDET" to power on.
3	Initialization	●	Press "STOP" for longer than 5 sec.	All settings will be reinitialized back to factory settings.

08. Maintenance & Cleaning

Cleaning Water pipe filter

- 1 Close the water feed valve by turning it clockwise.
- 2 Disconnect the water supply hose. Take the screen filter out and clean it with a soft brush. (e.g. toothbrush)
- 3 Return screen after cleaning and reconnect the water supply hose.
- 4 Open the water feed valve by turning it counter-clockwise.



Cleaning Nozzle

- 1 Press WASH button for 3 seconds while not occupying the seat. Nozzle will move forward and stop for 2 minutes.
- 2 Clean the nozzle with an unused toothbrush or other soft clean brush. Press the STOP button. Nozzle will return to its normal position.



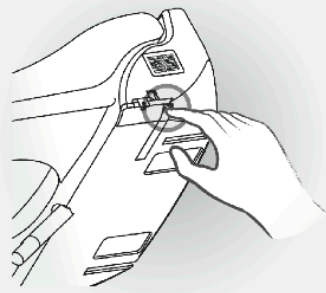
Cleaning Bidet Body

- 1 Exterior surface of bidet is made of a plastic material, which may be damaged by stiff scrubbers, chemicals, etc.
- 2 Wipe the surface with a soft, damp cloth which has been wrung out completely. Do not spray water directly onto the surface of the bidet.
- 3 Clean the body only after removing the power plug from the outlet. Make sure no water splashes the power plug or outlet.
- 4 Don't touch the power outlet with wet hands. This creates a risk of electric shock.



Draining Hot Water Tank

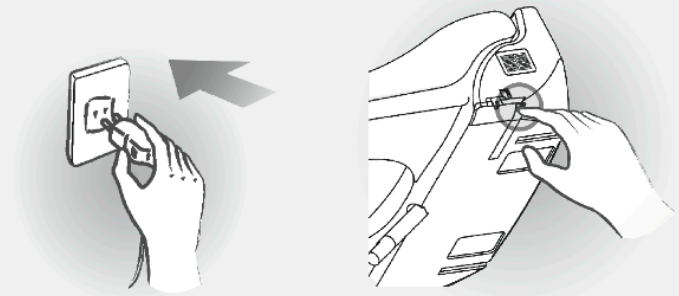
- 1 Remove the plover plug from the outlet.
- 2 Close the water feed valve by turning it clockwise.
- 3 Press and hold the release button on the side of the main body until water stops draining.



Maintenance during winter season

When bidet seat is not used for an extended period of time, either:

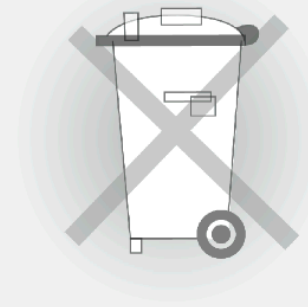
Leave unit plugged in and turned on OR Unplug and drain the unit



Do not throw away

We are committed to protect the environment.

Please help us by disposing of this product in a responsible way when it reaches the end of its service life, to prevent certain substances contained in electric and electronic products from harming public health or the environment. The symbol means that the products may not be thrown away with other household waste: at the end of its service life, it may be taken at no charge to you to the waste-collection centers provided for the purpose by the authorities in your country.



09. Before Requesting Repair

※ Please try the following solutions before requesting product repair.

Issue	Solution
Unit is not working	<ul style="list-style-type: none"> • Make sure the unit is plugged in. • Make sure there is power at the outlet.
Water doesn't spray from nozzle	<ul style="list-style-type: none"> • Turn on water supply. • Turn on water feed valve. • Check nozzle for blockage. • Make sure connection hose is not bent.
Water pressure is low	<ul style="list-style-type: none"> • Make sure screen filter is clean. • Set water pressure to a higher level.
Water is not warm enough	<ul style="list-style-type: none"> • Check if temperature is set to "OFF" or "LOW", or in ENERGY-SAVING or CHILD modes.
Seat is not warm enough	<ul style="list-style-type: none"> • Check if temperature is set to "OFF" or "LOW", or in ENERGY-SAVING or CHILD modes.
Enema wash is not functioning	<ul style="list-style-type: none"> • Make sure CHILD mode is off.
Water drips into toilet bowl.	<ul style="list-style-type: none"> • Remove and reattach mounting plate bracket on toilet. See page 12, #5 and #6 for details.



10. Product Specifications

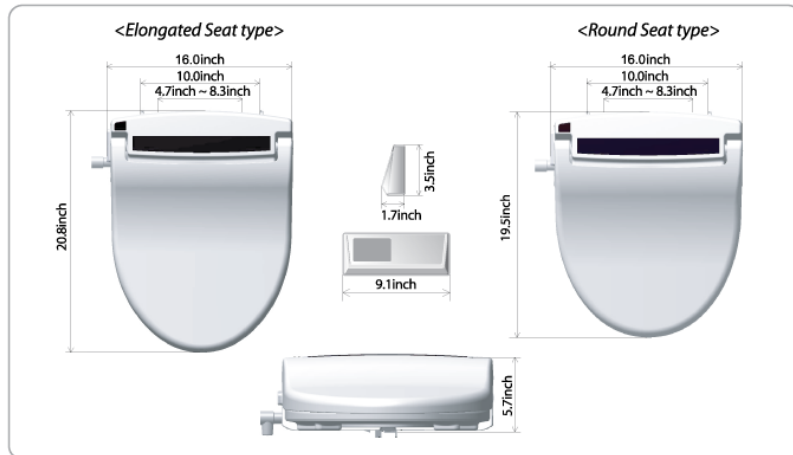
Item		DIB-1500R	
Rated Voltage		AC 120V, 60Hz	
Max. Consumption Power		1270W	
Power Cord Length		3 ~ 4 ft	
Water Pressure		9.9 ~ 106.6 psi	
Wash	Volume	Wash	0.16 gal / min
		Bidet	0.16 gal / min
		Enema Wash	0.16 gal / min
	Water Pressure Control		5-Step Control
	Temp. Control		Room Temp-Lo-Med-Hi
	Safety Device		Temp. Fuse, Thermo Switch
Heated Seat	Temp. Control		Room Temp-Lo-Med-Hi
	Safety Device		Temp. Fuse
Dry	Temp. Control		Room Temp-Lo-Med-Hi
	Safety Device		Temp. Fuse, Bi-metal
Deodorization		Catalytic Deodorization	
Product Dimensions	Elongated	16" x 20.8" x 5.7" (406 x 528 x 145)	
	Round	16" x 19.5" x 5.7" (406 x 496 x 145)	
Product Weight [Gross Weight]	Elongated	10.6 lb [17.2 lb]	
	Round	10.5 lb [17.1 lb]	

11. Functions

	Function	DIB-1500R
Wash/Dry Function	Wash	●
	Bidet	●
	Enema Wash	●
	Dry	●
	Deodorization	●
	Bubble Wash	●
	Continuous Warm Water Supply	●
Convenient /Comfort Function	Automatic Energy Saving	●
	Learning Energy Saving	●
	Massage	●
	Pulse	●
	Remote control unit	●
	Warm Seat	●
	Soft Lid	●
	Detachable Main Body	●
	Child	●

Dimension diagrams

inch



12. WARRANTY INFORMATION

Bidet Seat 1-Year Limited Warranty

(For Customers in the United States)

- All warranty service will be provided by our Factory Service Center.
- Warranty covers any part of the bidet seat which fails due to a defect in materials or workmanship.
- During this **limited one-year warranty**, we will also provide, **free of charge**, all labor and related service to replace the defective part.

Product Name	Warranty Period	
Model Name	One (1) year since the date purchased	
Date Purchased		
SER.No.		
Customer's Address	Name	
	Tel.No	
Distributor's Address	Name	
	Tel.No.	

What CleanSense Bidet will not cover:

- Service trips to your home.
- Improper installation, delivery or maintenance.
- Failure of the product due to abuse, misuse or use for other than the intended purpose.
- Use of the product for commercial purposes.
- Damage caused after delivery.
- Damage to the product caused by accident, fire, floods, or acts of God.
- Incidental or consequential damage caused by possible defects with this product.

EXCLUSION OF IMPLIED WARRANTIES - Your sole and exclusive remedy is product repair as provided in this Limited Warranty. Any implied warranties, including the implied warranties of merchantability or fitness for a particular purpose, are limited to one year or the shortest period allowed by law.

This warranty is extended to the original purchaser and any succeeding owner for products purchased for home use within the USA. If the product is located in an area where service by our Factory Service Center is not available, you may be responsible for a trip charge or you may be required to bring the product to an authorized service facility for service. The warranty excludes the cost of shipping to a service facility.

Mail or email this warranty form to:



CleanSense®
BIDET

151 Ruths Place, Suite #5, Sequim, WA 98382 USA

Tel: 1-800-681-0753 Email: info@cleansensebidet.com

www.CleanSenseBidet.com